

## A02 SS316 2-piece ball valve - 1/4" up to 2"



### Description

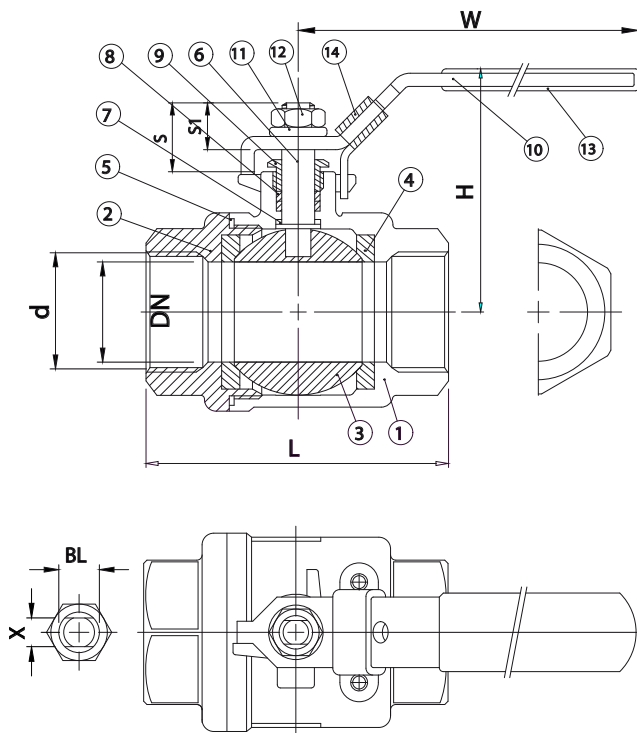
- 2-way ball valve BSP female threaded
- Full bore
- Body, ball and stem SS316
- Seats PTFE 15% glassfiber filled
- Working pressure maximum 63 Barg
- Temperature -15° up to + 180° C.
- Blow-out proof stem, lockable lever
- Only available lever operated

### Options:

- NPT female threaded
- 2 1/2" and 3" version

### Certificats:

- 3.1 Material certificats
- CE declaration



Item	Description	Material
1	Body	SS316
2	End cap	SS316
3	Ball	SS316
4	Seat	PTFE 15% glassfiber filled
5	Seal	PTFE
6	Stem	SS316
7	Thrust washer	PTFE
8	Seal	PTFE
9	Gland	SS
10	Lever	SS
11	Washer	SS
12	Nut	SS
13	Grip	PVC
14	Locking device	SS

Dimensions 1/4" up to 2" [mm]								
d	1/4"	3/8"	1/2"	3/4"	1"	1 1/4"	1 1/2"	2"
DN	11.6	12.7	15	20	25	32	38	50
L	49	49	57	65	78	90.5	105	127
H	51	51	53	59	73	78	91	99
W	105	105	105	125	160	160	190	190
Weight [kg]	0.27	0.27	0.32	0.50	0.82	1.25	1.93	3.10

