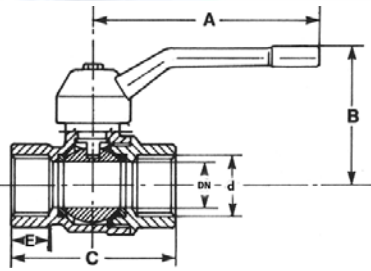


A10 Brass ball valve

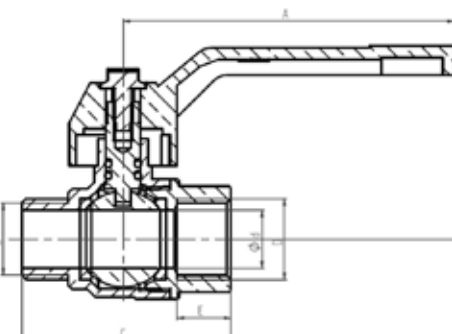


Description

- 2-way ball valve BSP female threaded
- Body and Ball Brass MS58 chromium plated
- Seats PTFE
- O-rings Viton®
- Lever aluminium epoxy coated
- Working pressure maximum 25 Barg up to 95 C. up to 3", 4" maximum 20 Barg, 16 Barg from 95 up to 120° C.
- Full bore
- Temperature -20 up to 120° C.
- Available 1/4" up to 4"
- With different colors levers available, standard yellow or blue

Dimensions 1/4" t/m 4" [mm]											
d	1/4"	3/8"	1/2"	3/4"	1"	1 1/4"	1 1/2"	2"	2 1.2"	3"	4"
DN	8	10	15	20	25	32	40	49	64	78	90
A	75	75	90	90	120	120	150	150	200	240	240
B	31	33	49	50	64	70	80	87	120	135	145
C	44	45	56	64	74	85	98	110	134	160	186
E	11	11	14	15	17	18	20	21	21	25	30
Weight [kg]	0.095	0.105	0.21	0.31	0.47	0.63	1.04	1.47	2.86	4.67	7.4

A20 Brass ball valve



Description

- 2-way ball valve BSP female x male threaded Gas UNI N ISO228-1
- Body and Ball Brass MS58 chromium plated
- Seats PTFE, O-rings Viton®
- Lever aluminium epoxy coated
- Working pressure maximum 40 Barg up to 95° C.
- Full bore
- Available 1/4" up to 2"

Dimensions 1/4" t/m 2" [mm]								
d	1/4"	3/8"	1/2"	3/4"	1"	1 1/4"	1 1/2"	2"
DN	8	10	15	20	25	32	40	49
A	75	75	90	90	120	120	150	150
B	31	33	49	50	65	70	80	87
C	44	45	54	62	73	85	96	110
E	11	11	14	15	17	18	20	21
Weight [kg]	0.085	0.1	0.2	0.3	0.46	0.62	0.99	1.45

Pressure - Temperature Chart

