

A13 3-piece ball valve - 5'' and 6''



Description

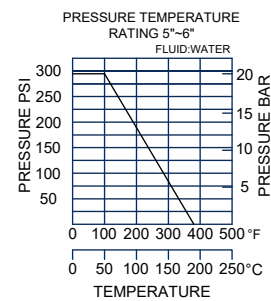
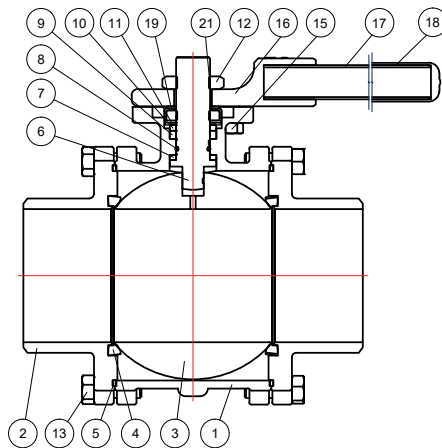
- 2-way ball valve with SS316 or Carbon steel body and end caps
- Full bore
- Ball and stem SS316
- Available in SS316 BW ends
- Mounting flange ISO 5211 for mounting actuators
- Seats PTFE
- Working pressure maximum 20 barg
- Temperature -15° up to + 160° C.
- Antistatic device

Options:

- Automatic electric or pneumatic actuation
- Socket weld ends, BSP or NPT female thread
- Stem extension
- Carbon steel body

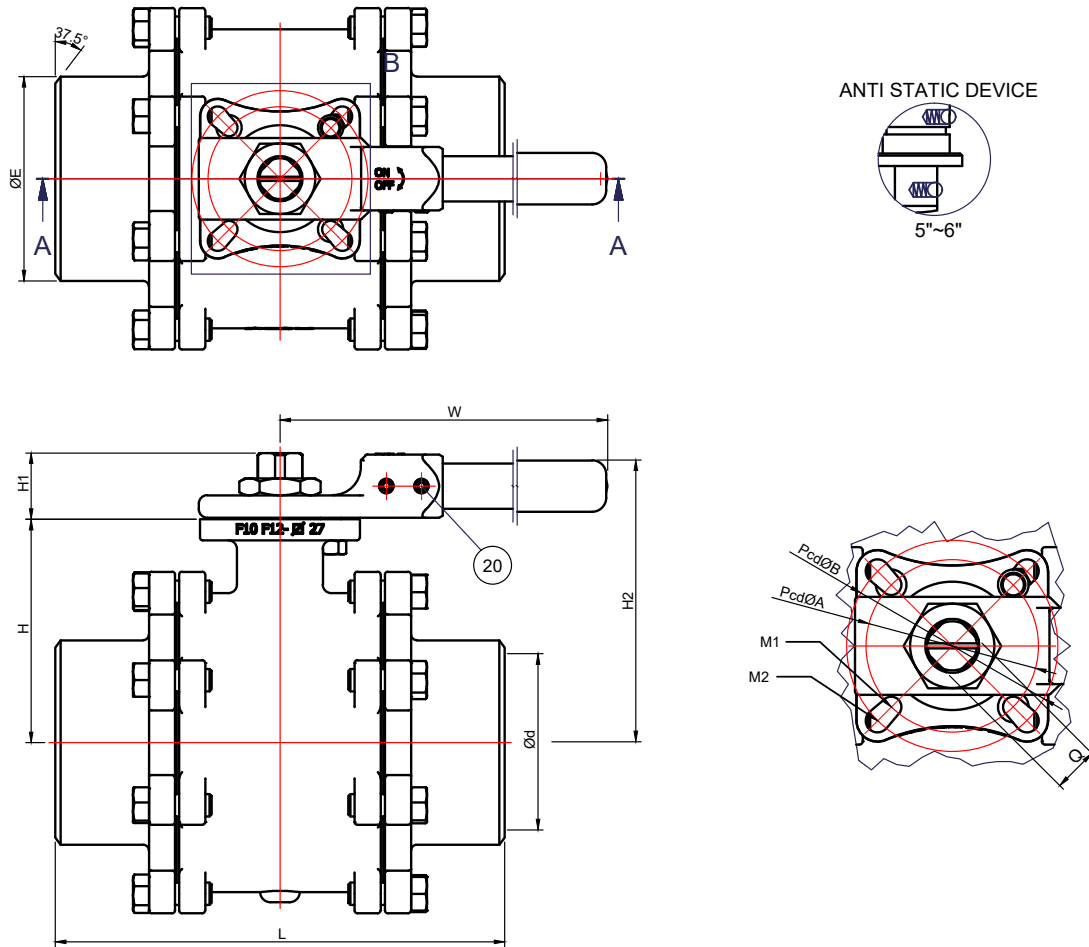
Certificats:

- 3.1 Material certificate
- CE declaration



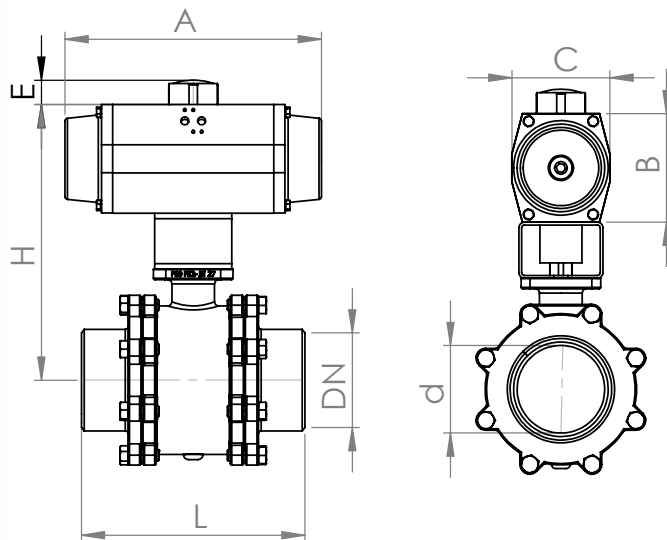
Item	Description	Material A13	Material A13C	Item	Description	Material A13	Material A13C
1	Body	SS316	Carbon steel	12	Stem Nut	SS	SS
2	End cap	SS316	Carbon steel	13	Bolt	SS	SS
3	Ball	SS316	SS316	14	Stop pin	SS	SS
4	Seat	PTFE	PTFE	15	Stop pin nut	SS	SS
5	Joint Gasket	PTFE	PTFE	16	Handle	SS	SS
6	Stem	SS316	SS316	17	Handle bar	SS	SS
7	Thrust washer	PTFE	PTFE	18	Plastic cover	Plastic	Plastic
8	O-ring	Viton	Viton	19	Lock Washer	SS	SS
9	Stem Packing	PTFE	PTFE	20	Insert	SS	SS
10	Stem Ring	SS	SS	21	Square Washer	SS	SS
11	Belleville Washer	SS	SS				

A13 3-piece ball valve - 5'' and 6''



Dimensions 5'' up to 6'' [mm]													
Size	d	L	H	H1	H2	W	E	A	B	M1	M2	■Q	Weight (kg)
125 (5'')	125	319	158.5	47	202	610	145	102	125	F12	F14	27	39.6
150 (6'')	150	350	175	47	218.5	610	168.4	102	125	F12	F14	27	53.5

A13 3-piece ball valve - 5'' and 6''



With double acting pneumatic actuator [mm]								
DN (d)	DW	A	B	C	E	H	L	Weight [kg]
DN125 (5'')	AP5D	360	185	140	30	394	319	49
DN150 (6'')	AP6D	462	230	175	30	455	350	71
With single acting pneumatic actuator [mm]								
DN125 (5'')	AP6S	462	230	175	30	439	319	61
DN150 (6'')	AP8S	555	300	215	50	505	350	96