

A13 / A13C 3-piece ball valve - 1/4" up to 4"



Description

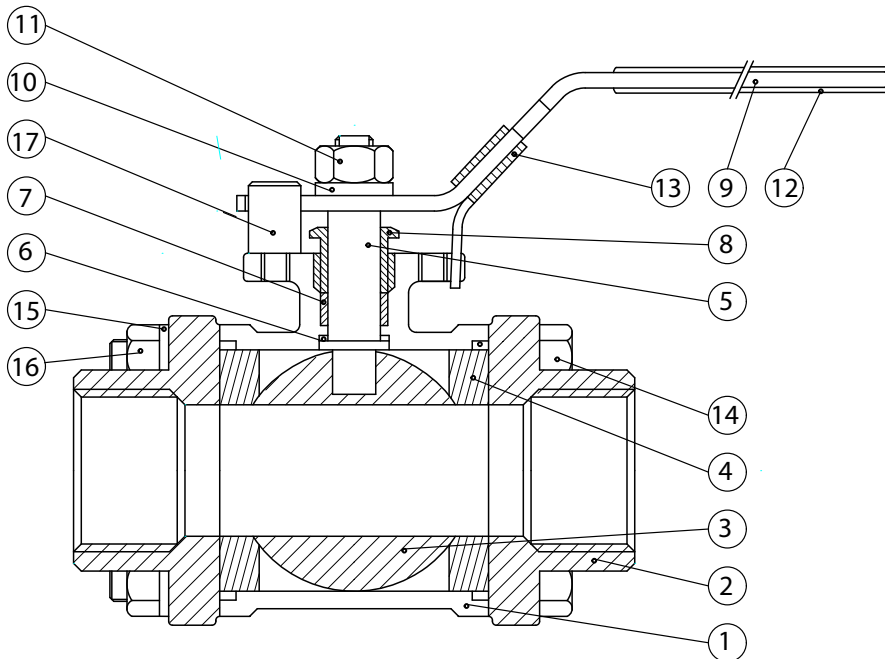
- 2-way ball valve with SS316 or Carbon steel body and end caps
- Full bore
- Ball and stem SS316
- Available in SS316 BSP, NPT female thread or BW ends
- Available in Carbon steel BSP, NPT female thread or BW ends
- Mounting flange ISO 5211 for mounting actuators
- Seats PTFE 15% glasfiber filled
- Working pressure maximum 63 barg
- Temperature -15° up to + 180° C.

Options:

- Automatic electric or pneumatic actuation
- Socket weld ends, extended BW ends
- Stem extension
- Lockable lever

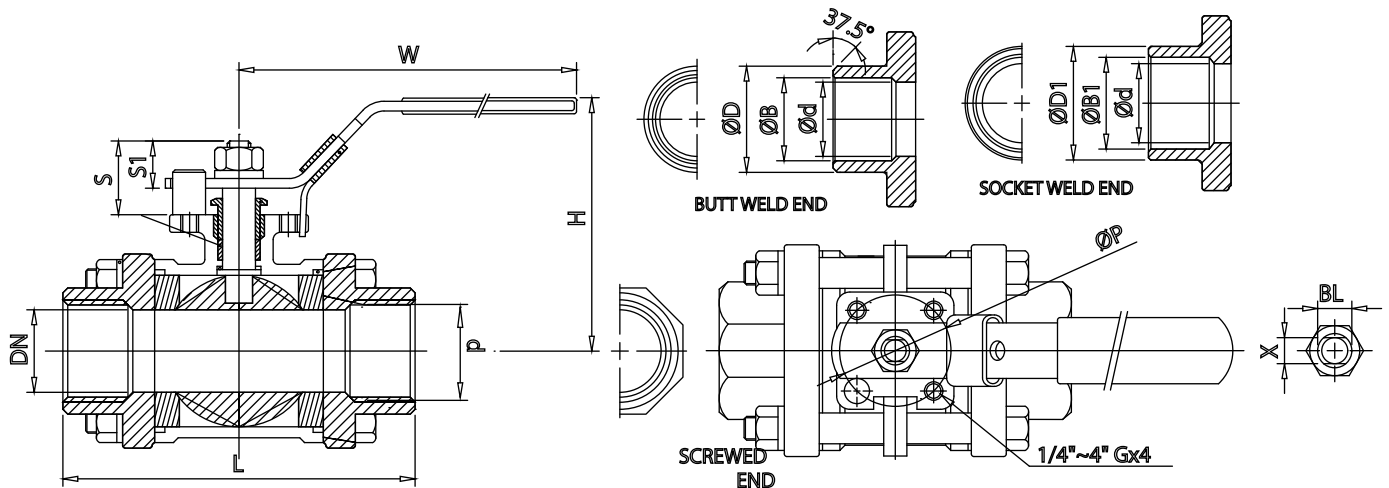
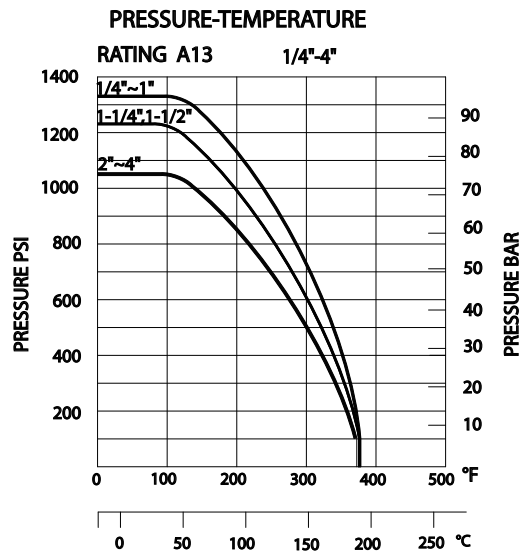
Certificats:

- 3.1 Material certificate
- CE declaration



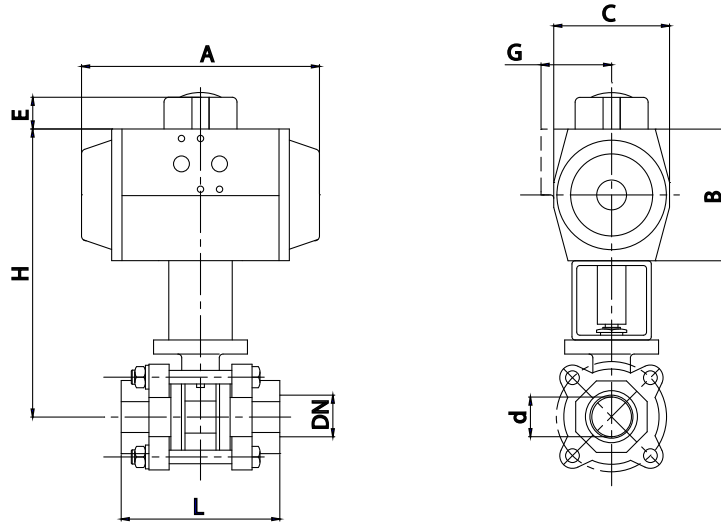
Item	Description	Material A13	Material A13C
1	Body	SS316	Carbon steel
2	End cap	SS316	Carbon steel
3	Ball	SS316	SS316
4	Seat	PTFE 15% Glassfiber filled	PTFE 15% Glassfiber filled
5	Stem	SS316	SS316
6	Thrust washer	PTFE	PTFE
7	Stem sealing	PTFE	PTFE
8	Stem nut	SS	SS
9	Lever	SS	SS
10	Washer	SS	SS
11	Nut	SS	SS
12	Grip	PVC	PVC
13	Locking device	SS	SS
14	Bolt	SS	SS
15	Washer	SS	SS
16	Nut	SS	SS
17	Stop pin	SS	SS

A13 / A13C 3-piece ball valve - 1/4'' up to 4''



Dimensions 1/4'' up to 4'' [mm]											
d	1/4"	3/8"	1/2"	3/4"	1"	1 1/4"	1 1/2"	2"	2 1/2"	3"	4"
DN	11.6	12.7	15	20	25.4	32	38	50.8	65	80	100
L	58	58	63	76	85	100	115	132	165	183	232
ØP-ISO	36	36	36	36	42	42	50	50	70	102	102
G	M5	M5	M5	M5	M5	M5	M6	M6	M8	M10	M10
H	55	55	60	63	79	86	94	103	133	144	177
W	105	105	105	120	158	158	195	195	245	245	320
S	13.3	13.3	15.8	18.3	21.5	23	25	23.1	41.2	39.7	47.1
S1	8.3	8.3	9.8	13.5	15.6	15.6	16.9	16.9	30	30	36.6
ØB	12	14	17.1	22.5	28	33.5	43	53	65	80	100
ØB1	14.1	17.6	21.7	27.1	33.8	42.6	48.7	61.1	76.9	89.9	115.4
ØD	18	18	22	27.5	33.5	44	50	61.5	76	92	115
ØD1	19	22.5	27	33	40	48.8	55	67.2	86.4	103	130.7
X	5.0	5.0	5.0	6.5	8.0	8.0	9.0	9.0	12	12	16
BL	5/16"	5/16"	5/16"	3/8"	7/16"	7/16"	1/2"	1/2"	3/4"	3/4"	1"
Weight [kg]	0.45	0.44	0.70	0.88	1.28	2.15	2.95	4.5	8.6	14.7	26.8

A13 / A13C 3-piece ball valve - 1/4" up to 4"



With double acting pneumatic actuator [mm]									
DN (d)	DW	A	B	C	E	G	H	L	Weight [kg]
DN8 (1/4")	AP0D	110	65	51	20	-	142	58	1.3
	AP1D	137	87	60	20	41	164		1.5
DN10 (3/8")	AP0D	110	65	51	20	-	143	58	1.3
	AP1D	137	87	60	20	41	165		1.5
DN15 (1/2")	AP1D	137	87	60	20	41	168	63	1.9
DN20 (3/4")	AP1D	137	87	60	20	41	171	76	2.0
DN25 (1")	AP1D	137	87	60	20	41	175	85	2.4
DN32 (1 1/4")	AP2D	150	103	73	20	44.5	197	100	3.5
DN40 (1 1/2")	AP2D	150	103	73	20	44.5	215	115	4.2
DN50 (2")	AP3D	204	120	85	20	49.5	240	132	6.4
DN65 (2 1/2")	AP3,5D	230	130	98	20	53	275	165	11.7
DN80 (3")	AP4D	271	145	110	30	58	294	183	17.5
DN100 (4")	AP5D	360	185	140	30	-	429	232	33.5

AP0D can not be mounted with switch boxes

With single acting pneumatic actuator [mm]									
DN (d)	EW	A	B	C	E	G	H	L	Weight [kg]
DN8 (1/4")	AP1S	137	87	60	20	41	164	58	1.8
DN10 (3/8")	AP1S	137	87	60	20	41	165	58	1.9
DN15 (1/2")	AP2S	150	103	73	20	44.5	184	63	2.6
DN20 (3/4")	AP2S	150	103	73	20	44.5	187	76	2.7
DN25 (1")	AP3S	204	120	85	20	49.5	218	85	4.5
DN32 (1 1/4")	AP3S	204	120	85	20	49.5	224	100	5.2
DN40 (1 1/2")	AP3S	204	120	85	20	49.5	232	115	5.8
DN50 (2")	AP3,5S	230	130	98	20	53	250	132	8.5
DN65 (2 1/2")	AP4S	271	145	110	30	58	290	165	13.8
DN80 (3")	AP5S	360	185	140	30	-	354	183	25.0
DN100 (4")	AP6S	462	230	175	30	-	474	232	47.0

Pneumatic actuators are based on PTFE seat rings, minimum air pressure of 6 bar(g) and medium of clean water 20°C with at 6 bar pressure