

## A25 Brass 2-way ball valve - 1/4" up to 4"



### Description

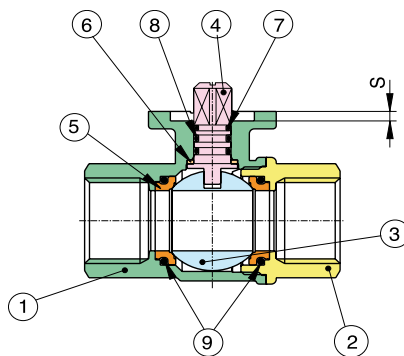
- 2-way ball valve BSP female threaded
- Full bore
- Body and ball Brass chromium plated, stem Brass nickel plated
- Mounting flange ISO 5211 for direct mounting pneumatic or electric actuators
- Seats PTFE
- O-rings Viton®
- Working pressure maximum 40 Barg
- Temperature -20 to 160° C.
- Suitable for vacuum
- Not available with manual lever

### Options:

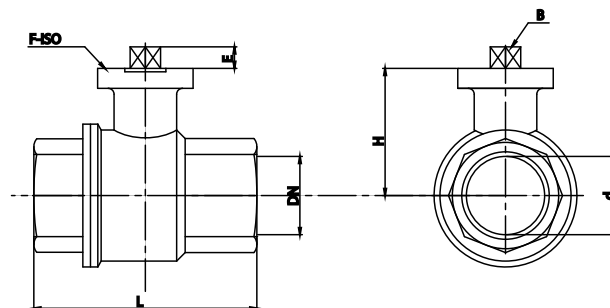
- Automatic electric or pneumatic actuation
- Atex version
- Spring return lever up to 2"

### Certificates:

- 2.2 Material certificate
- CE declaration

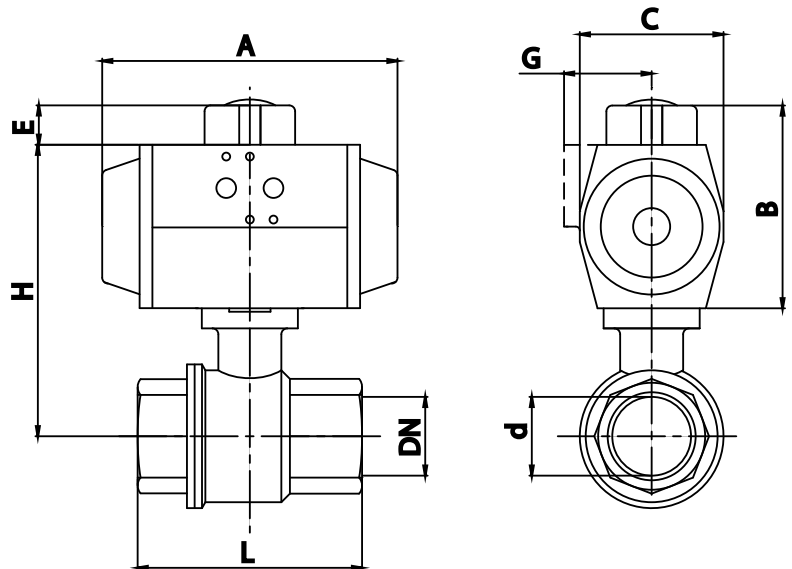


Item	Description	Material
1	Body	Brass chromium plated
2	End cap	Brass chromium plated
3	Ball	Brass chromium plated
4	Stem	Brass nickel plated
5	Seat	PTFE
6	Thrust washer	PTFE
7	Stem seal	PTFE
8	O-ring	Viton®
9	O-ring	Viton®



Dimensions 1/4" up to 4" [mm]												
Ø	1/4"	3/8"	1/2"	3/4"	1"	1 1/4"	1 1/2"	2"	2 1/2"	3"	4"	
DN	8	10	15	20	25	32	40	50	65	80	100	
L	67	67	67	76	90	102	114	138	165	188	225	
Square B	9	9	9	9	9	9	11	11	14	14	17	
ØF-ISO	36	36	36	36	36	36	50	50	70	70	70	
H	33	33	33	35	45.5	49	64	73.25	87	98	119.5	
E	9	9	9	9	9	9	11	11	15	15	17.5	
Work. pres.max.	40 Barg								25 Barg		16 Barg	
Weight [kg]	0,37	0,35	0,31	0,40	0,75	1,05	1,73	2,98	4,20	6,28	10,25	

## A25 Brass 2-way ball valve - 1/4" up to 4"



With double acting pneumatic actuator [mm]									
DN (d)	DW	A	B	C	E	G	H	L	Weight [kg]
DN8 (1/4")	AP0D	110	65	51	20	-	98	67	1
	AP1D	137	87	60	20	41-	164		1.4
DN10 (3/8")	AP0D	110	65	51	20	-	98	67	0.9
	AP1D	137	87	60	20	41	165		1.4
DN15 (1/2")	AP0D	110	65	51	20	-	98	67	0.9
	AP1D	137	87	60	20	41	184		1.5
DN20 (3/4")	AP0D	110	65	51	20	-	100	76	1
	AP1D	137	87	60	20	41	187		1.8
DN25 (1")	AP0D	110	65	51	20	-	111	90	1.3
	AP1D	137	87	60	20	41	218		1.9
DN32 (1 1/4")	AP0D	110	65	51	20	-	114	102	1.7
	AP1D	137	87	60	20	41	224		2
DN40 (1 1/2")	AP2D	150	103	73	20	44.5	167	114	3.3
DN50 (2")	AP2D	150	103	73	20	44.5	177	138	4.5
DN65 (2 1/2")	AP3D	204	120	85	20	49.5	207	157	6.9
DN80 (3")	AP3D	204	120	85	20	49.5	218	188	9.1
DN100 (4")	AP3.5D	230	130	98	20	53	250	225	14.1

AP0D can not be mounted with switch boxes

With single acting pneumatic actuator [mm]									
DN (d)	EW	A	B	C	E	G	H	L	Weight [kg]
DN8 (1/4")	AP1S	137	87	60	20	41	164	67	1.6
DN10 (3/8")	AP1S	137	87	60	20	41	165	67	1.5
DN15 (1/2")	AP1S	137	87	60	20	41	184	67	1.5
DN20 (3/4")	AP1S	137	87	60	20	41	187	76	1.6
DN25 (1")	AP1S	137	87	60	20	41	218	90	2.0
DN32 (1 1/4")	AP1S	137	87	60	20	41	224	102	2.3
DN40 (1 1/2")	AP2S	150	103	73	20	44.5	232	114	3.5
DN50 (2")	AP3S	204	120	85	20	49.5	250	138	6.1
DN65 (2 1/2")	AP3.5S	230	130	98	20	53	290	157	8.8
DN80 (3")	AP3.5S	230	130	98	20	53	354	188	11.1
DN100 (4")	AP4S	271	145	110	30	58	474	225	16.2

Pneumatic actuators are based on PTFE seat rings, minimum air pressure of 6 bar(g) and medium of clean water 20°C with at 6 bar pressure