

A35 Brass 3-way ball valve - 1/4" up to 2"



Description

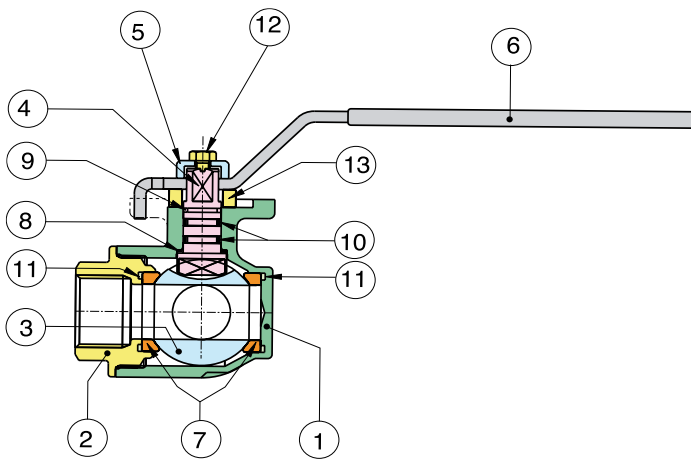
- 3-way ball valve BSP female threaded
- Full bore, L or T port
- Body Brass chromium plated, ball and stem Brass nickel plated
- Mounting flange ISO 5211 for direct mounting pneumatic or electric actuators
- Seats PTFE
- O-rings Viton®
- Working pressure: up to 3/4" max. 30 barg, 1" max. 16 barg, 1 1/4" up to 2" max. 10 barg
- Temperature -20° up to 160°C.
- Suitable for vacuum
- Also available with lever

Options:

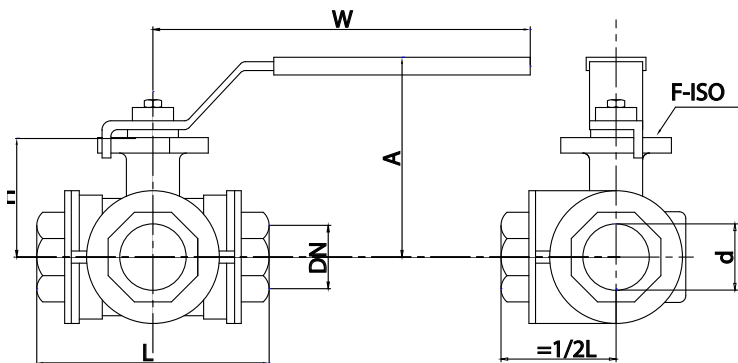
- Automatic electric or pneumatic actuation
- Spring return lever up to 2"

Certificats:

- 2.2 Material certificate
- CE declaration

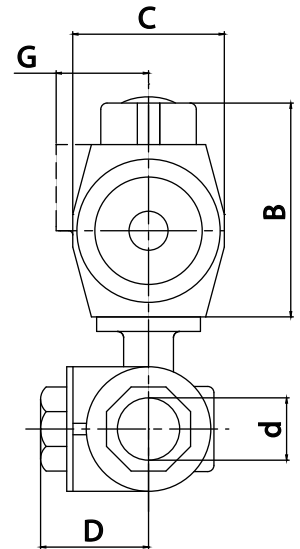
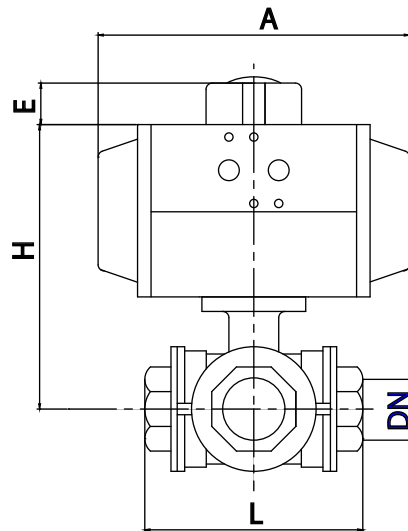


Item	Description	Material
1	Body	Brass chromium plated
2	End capk	Brass chromium plated
3	Ball	Brass nickel plated
4	Stem	Brass nickel plated
5	Disc	Brass nickel plated
6	Lever	Steel
7	Seat	PTFE
8	Thrust washer	PTFE
9	Stem seal	PTFE
10	O-ring	Viton®
11	O-ring	Viton®
12	Bolt	Steel
13	Ring	Steel



Dimensions 1/4" up to 2" [mm]								
Ød	1/4"	3/8"	1/2"	3/4"	1"	1 1/4"	1 1/2"	2"
DN	8	10	15	20	25	32	40	50
L	67	67	77	87	105	122.5	138.5	166
ØF-ISO	36	36	36	50	50	50	70	70
H	62	62	64	75	80.5	93	111	122
W	120	120	120	170	170	170	230	230
Weight [kg]	0.55	0.52	0.65	1.10	1.83	2.75	4.57	8.37

A35 Brass 3-way ball valve - 1/4" up to 2"



With double acting pneumatic actuator [mm]									
DN (d)	DW	A	B	C	E	G	H	L	Weight [kg]
DN8 (1/4")	AP0D	110	65	51	20	-	96	67	1.2
	AP1D	137	87	60		41	118		1.4
DN10 (3/8")	AP0D	110	65	51	20	-	96	67	1.2
	AP1D	137	87	60		41	118		1.4
DN15 (1/2")	AP0D	110	65	51	20	-	98	77	1.2
	AP1D	137	87	60		41	120		1.5
DN20 (3/4")	AP2D	150	73	73	20	44.5	145	87	2.4
DN25 (1")	AP2D	150	73	73	20	44.5	150	105	3.2
DN32 (1 1/4")	AP2D	150	73	73	20	44.5	163	122.5	4.2
DN40 (1 1/2")	AP3D	204	85	85	20	49.5	194	138.5	7.2
DN50 (2")	AP3D	204	85	85	20	49.5	205	166	11.2

AP0D can not be mounted with switch boxes

With single acting pneumatic actuator [mm]									
DN (d)	EW	A	B	C	E	G	H	L	Weight [kg]
DN8 (1/4")	AP1S	137	87	60	20	41	118	67	1.8
DN10 (3/8")	AP1S	137	87	60	20	41	118	67	1.8
DN15 (1/2")	AP1S	137	87	60	20	41	120	77	1.8
DN20 (3/4")	AP2S	150	103	73	20	44.5	145	87	2.6
DN25 (1")	AP2S	150	103	73	20	44.5	150	105	3.4
DN32 (1 1/4")	AP2S	150	103	73	20	44.5	163	122.5	4.4
DN40 (1 1/2")	AP3S	204	120	85	20	49.5	194	138.5	7.6
DN50 (2")	AP3S	204	120	85	20	49.5	205	166	11.7

Pneumatic actuators are based on PTFE seat rings, minimum air pressure of 6 bar(g) and medium of clean water 20°C with at 6 bar pressure