

S02D SS316 2-piece ball valve - 1/4" up to 4"



Description

- 2-way ball valve BSP female threaded
- Full bore
- Body, ball and Stem in SS316
- Mounting flange ISO 5211 for direct mounting pneumatic or electric actuators
- Seats PTFE 15% glassfiber filled
- Working pressure maximum 63 Barg
- Temperature -15° up to + 180° C.
- Blow-out proof stem, lockable lever
- Anti-static
- Suitable for vacuum

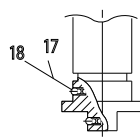
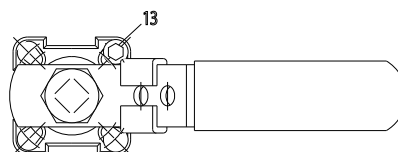
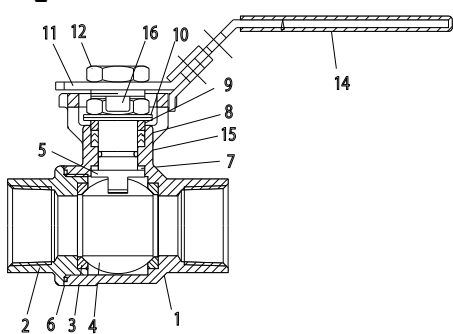
Options:

- Automatic electric or pneumatic actuation
- NPT female threaded
- Stem extension
- Spring return lever up to 2''

Certificats:

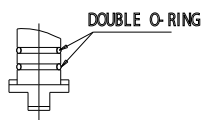
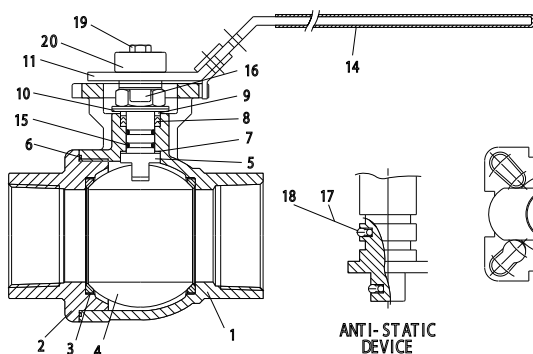
- 3.1 Material certificats
- CE declaration
- TA Luft declaration

1/4" - 2"



STATIC DEVICE

2 1/2" - 4"

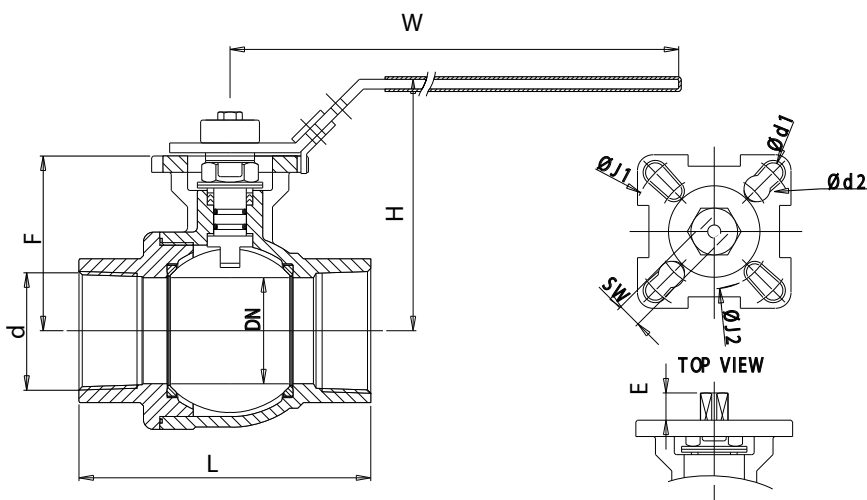
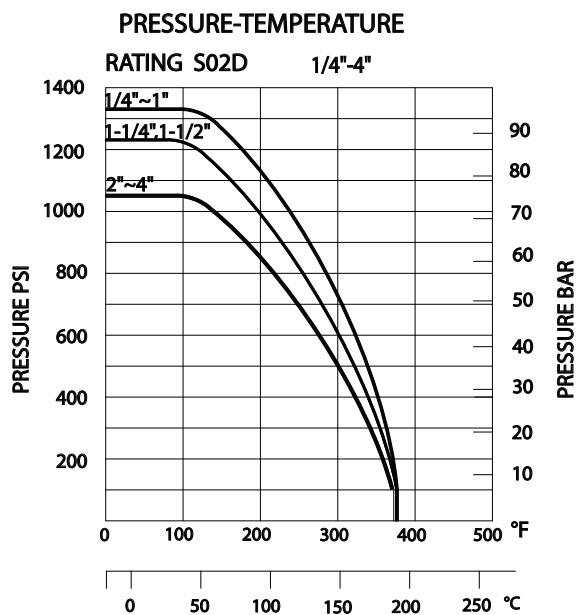


DOUBLE O-RING

ANTI-STATIC DEVICE

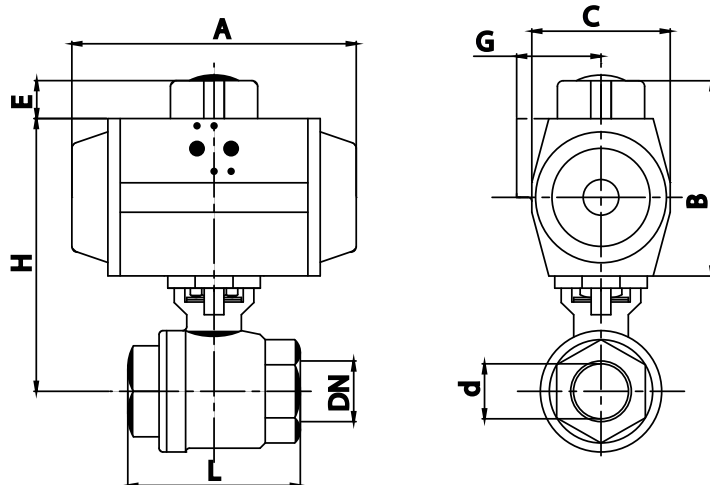
Item	Description	Material
1	Body	SS316
2	End cap	SS316
3	Seat	PTFE 15% glassfiber filled
4	Ball	SS316
5	Stem	SS316
6	Body packing	PTFE
7	Thrust washer	PTFE
8	Seal	PTFE
9	Gland	SS
10	Disc springs	SS
11	Lever	SS
12	Nut	SS
13	Stop	SS
14	Grip	PVC
15	O-ring	Viton®
16	Locking device	SS
17	Anti-static	SS
18	Spring	SS
19	Bolt	SS

S02D SS316 2-piece ball valve - 1/4" up to 4"



Dimensions 1/4" up to 4" [mm]											
d	1/4"	3/8"	1/2"	3/4"	1"	1 1/4"	1 1/2"	2"	2 1/2"	3"	4"
DN	11.1	11.1	15	20	24.5	32	38	50	65	80	100
L	57	57	57	71	83	91	104	123	155	182	240
H	72.7	72.7	72.7	72.7	83.5	88.7	100.8	118	155	165	180
F	42.3	42.3	42.3	44.8	54	59	73.5	82.9	107	117.3	132.3
J1	42	42	42	42	42	50	50	50	70	70	70
J2	50	50	50	50	50	70	70	70	102	102	102
W	110	110	110	110	135	165	165	165	300	335	335
SW	9	9	9	9	11	11	11	14	17	17	17
E	8	8	8	8	10	10	10	14.8	17.1	17.1	17.1
Weight [kg]	0.5	0.5	0.4	0.6	0.9	1.4	2.0	3.6	7.4	11.0	18.4

S02D SS316 2-piece ball valve - 1/4" up to 4"



With double acting pneumatic actuator [mm]									
DN (d)	DW	A	B	C	E	G	H	L	Weight [kg]
DN8 (1/4")	AP1D	137	87	60	20	41	129.3	57	1.5
DN10 (3/8")	AP1D	137	87	60	20	41	129.3	57	1.5
DN15 (1/2")	AP1D	137	87	60	20	41	129.3	57	1.4
DN20 (3/4")	AP1D	137	87	60	20	41	131.8	71	1.6
DN25 (1")	AP2D	137	87	60	20	41	157	83	2.3
DN32 (1 1/4")	AP2D	150	103	73	20	44.5	172.3	91	2.9
DN40 (1 1/2")	AP2D	150	103	73	20	44.5	176.3	103	3.8
DN50 (2")	AP3D	204	120	85	20	49.5	202.9	120	6.1
DN65 (2 1/2")	AP3.5D	230	130	98	20	53	237	155	11.6
DN80 (3")	AP3.5D	230	130	98	20	53	247.3	182	15.3
DN100 (4")	AP4D	271	145	110	30	58	277.3	240	24.0

With single acting pneumatic actuator [mm]									
DN (d)	EW	A	B	C	E	G	H	L	Weight [kg]
DN8 (1/4")	AP1S	137	87	60	20	41	129.3	57	1.9
DN10 (3/8")	AP1S	137	87	60	20	41	129.3	57	1.9
DN15 (1/2")	AP2S	150	103	73	20	44.5	145.3	57	2.4
DN20 (3/4")	AP2S	150	103	73	20	44.5	147.8	71	2.5
DN25 (1")	AP3S	204	120	85	20	49.5	174	83	4.2
DN32 (1 1/4")	AP3S	204	120	85	20	49.5	189.3	91	4.8
DN40 (1 1/2")	AP3S	204	120	85	20	49.5	193.5	103	5.3
DN50 (2")	AP3.5S	230	130	98	20	53	212.9	120	8.0
DN65 (2 1/2")	AP4S	271	145	110	30	58	252	155	13.7
DN80 (3")	AP4.5S	305	172	128	30	69	289.3	182	20.9
DN100 (4")	AP4.5S	305	172	128	30	69	304.3	240	28.4

Pneumatic actuators are based on PTFE seat rings, minimum air pressure of 6 bar(g) and medium of clean water 20°C with at 6 bar pressure