

S10F/C10F wafer type ball valve PN16-PN40



Description

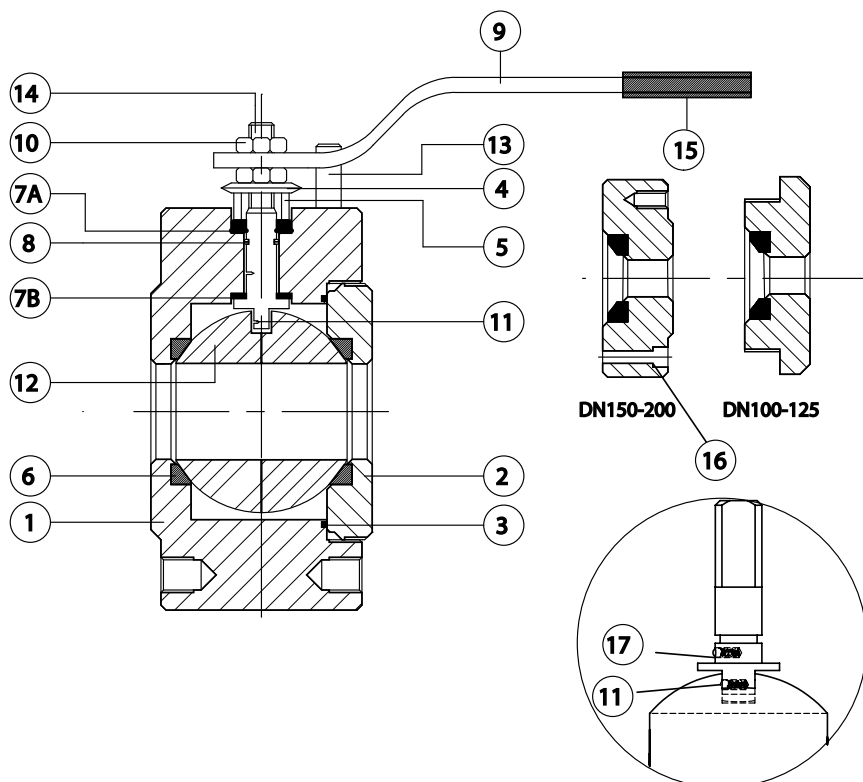
- 2-way wafer type ball valve flange connection PN16-PN40
- Full bore
- Body SS316 or Carbon steel, ball and stem SS316 or 304
- ISO 5211 pattern for mounting pneumatic or electric actuators
- Seats and Seals PTFE
- Pressure class PN16 and/or PN40, flanged RF DIN2501
- Blow-out proof stem
- Suitable for vacuum
- Anti-static
- Temperature -30° C up to 180° C.

Options:

- Automatic electric or pneumatic actuation
- Stem extension
- Endswitches
- Fire safe version, Oxygen cleaned, Heating Jacket, Thru going holes
- Peek, RPTFE, TFM, Integral, PTFE RVS filled seats
- Pressure classes ANSI150-300-600 and PN63-100 on request
- Special materials as Inconel, SS316ti, Hastelloy etc on request

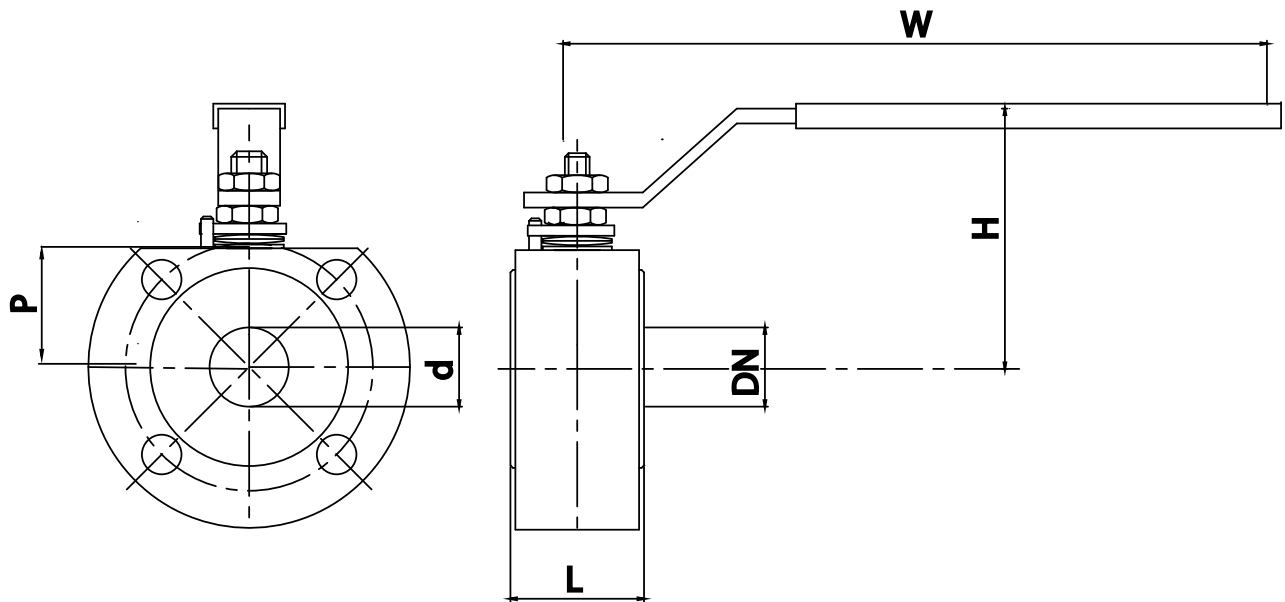
Certificates:

- 3.1 Material certificate
- CE declaration
- Fire safe API607 4e edition
- TA Luft declaration



Item	Description	Material S10F	Material C10F
1	Body	SS316	Carbon steel
2	Body end	SS316	Carbon steel
3	Body packing	PTFE	PTFE
4	Disc springs	SS316	Steel
5	Gland	SS	SS
6	Seat	PTFE	PTFE
7A+B	Seal	PTFE	PTFE
8	O-ring	Viton®	Viton®
9	Lever	Steel zinc plated	Steel zinc plated
10	Nut	Steel zinc plated	Steel zinc plated
11	Anti-static	SS316	SS304
12	Ball	SS316	SS304
13	Stop	Steel	Steel
14	Stem	SS316	SS304
15	Grip	PVC	PVC
16	Bolt	SS	Steel
17	Anti-static	SS316	SS316

S10F/C10F wafer type ball valve PN16-PN40

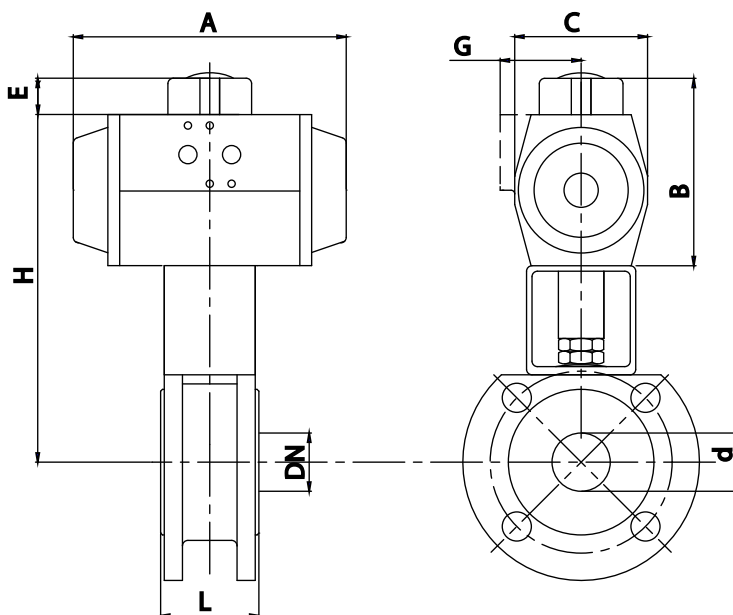


Dimensions DN 15 up to DN 200 [mm]												
DN	15	20	25	32	40	50	65	80	100	125	150	200
d	14	20	24	32	38	48	62	75	97	118	144	194
W	148	148	174	274	274	286	386	386	515	515	670	930
H	100	105	100	105	110	128	200	215	220	230	250	295
L	38	39	46 (*42)	56	60	85 (*70)	103 (*95)	120 (*118)	150 (*140)	200 (175)	210	292
P	33	38	42	49.5	53	66	81	89	103.5	114	140.5	240
C10F [kg]	1.8	2	3	5	6.5	10	16	22.5	31.5	48	67	155
S10F [kg]	1.8	2	3	5	4.5	6.7	11.3	13	21.5	36	57	115

(*) length on special demand, no standard stock.

Distance and diameters X according to UNI - ANSI - DIN

S10F/C10F wafer type ball valve PN16-PN40



With double acting pneumatic actuator [mm]										
DN	DW	d	A	B	C	E	G	H	L	Weight [kg]
DN15 (1/2")	AP1D	14	137	87	60	20	41	150	38	2.8
DN20 (3/4")	AP1D	20	137	87	60	20	41	155	39	4
DN25 (1")	AP1D	24	137	87	60	20	41	159	46	4.7
DN32 (1 1/4")	AP2D	32	150	103	73	20	44.5	193	56	5.8
DN40 (1 1/2")	AP3D	38	204	120	85	20	49.5	213	60	8.3
DN50 (2")	AP3D	48	204	120	85	20	49.5	226	85	10.6
DN65 (2 1/2")	AP3.5D	62	230	130	98	20	53	251	103	19
DN80 (3")	AP4D	75	271	145	110	30	58	264	120	25.3
DN100 (4")	AP4D	97	271	145	110	30	58	299	150	35.4
DN125 (5")	AP5D	118	360	185	140	30	-	349	200	57.3
DN150 (6")	AP5D	144	360	185	140	30	-	376	210	90
DN200 (8")	AP6D	194	462	230	175	30	-	531	292	180

With single acting pneumatic actuator [mm]										
DN	EW	d	A	B	C	E	G	H	L	Weight [kg]
DN15 (1/2")	AP2S	14	150	103	73	20	44.5	166	38	3.4
DN20 (3/4")	AP3S	20	204	120	85	20	49.5	198	39	5.1
DN25 (1")	AP3S	24	204	120	85	20	49.5	202	46	5.8
DN32 (1 1/4")	AP3S	32	204	120	85	20	49.5	210	56	7.4
DN40 (1 1/2")	AP3.5S	38	230	130	98	20	53	223	60	10.3
DN50 (2")	AP3.5S	48	230	130	98	20	53	236	85	12.7
DN65 (2 1/2")	AP4S	62	271	145	110	30	58	256	103	21.1
DN80 (3")	AP5S	75	360	185	140	30	-	324	120	32.8
DN100 (4")	AP5S	97	360	185	140	30	-	367	150	43.1
DN125 (5")	AP5.5S	118	380	206	160	30	-	370	200	65.2
DN150 (6")	AP6S	144	462	230	175	30	-	421	210	102.8
DN200 (8")	AP8S	194	555	300	215	50	-	601	292	197

Pneumatic actuators are based on PTFE seat rings, minimum air pressure of 6 bar(g) and medium of clean water 20°C with at 6 bar pressure