

S15D SS316 Wafer type ball valve PN16 - DN 15 up to DN 100



Description

- 2-way wafer type ball valve with flange connection PN16
- Full bore
- Body, ball and stem SS316
- Mounting flange ISO 5211 for direct mounting pneumatic or electric actuators
- Seats and seals PTFE
- Pressure class PN16, flanged RF DIN2501
- Blow-out proof stem, lockable lever
- Suitable for vacuum
- Anti-static
- Temperature -30° C up to 180° C.

Options:

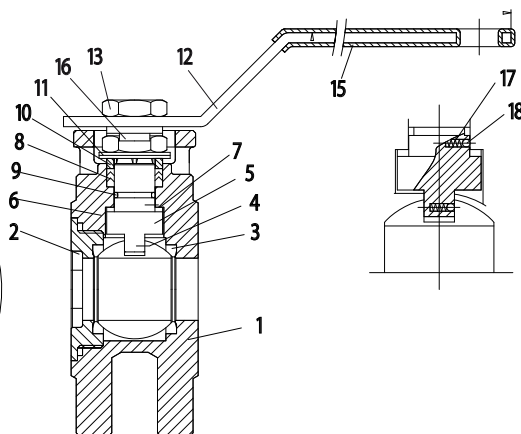
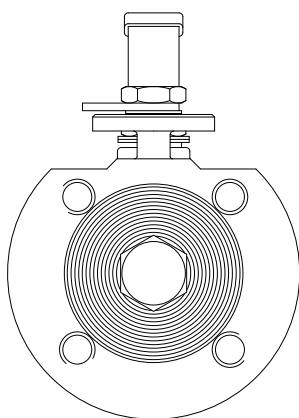
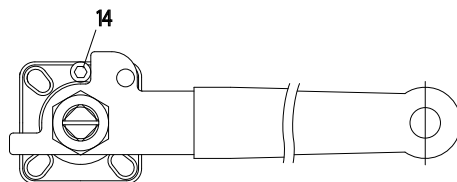
- Automatic electric or pneumatic actuation
- Stem extension TFM seats
- Endswitches Peek seats
- Carbon steel version type C15D Integral seats
- Spring return lever up to DN 50

Certificates:

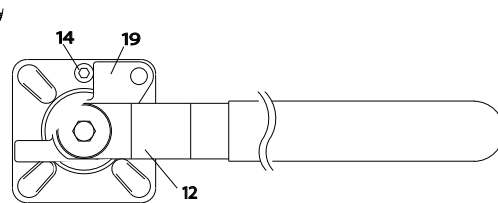
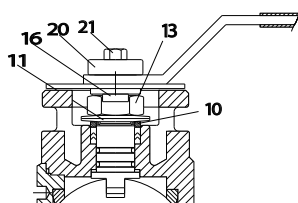
- 3.1 Material certificate
- CE declaration
- TA-Luft declaration

DN15 - 50

DOUBLE O-RING

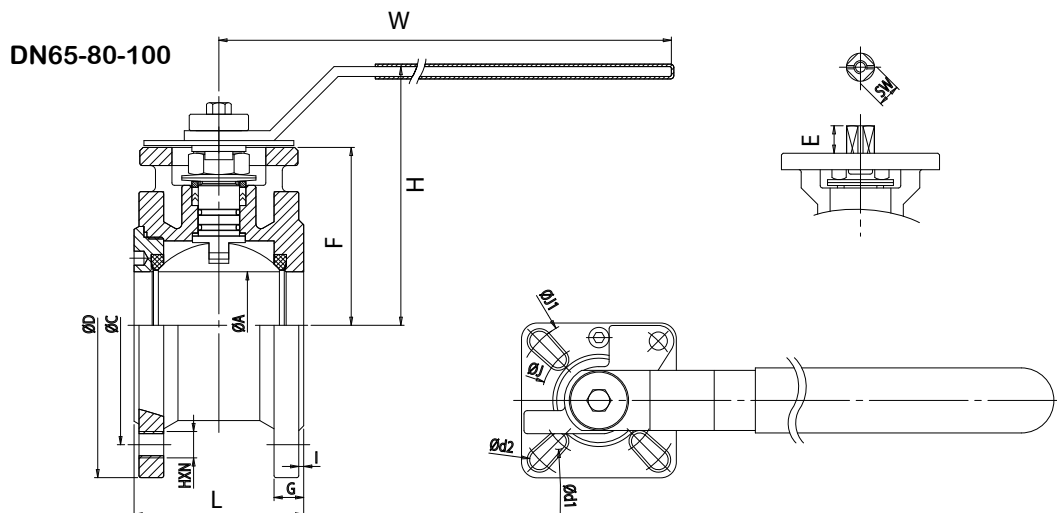
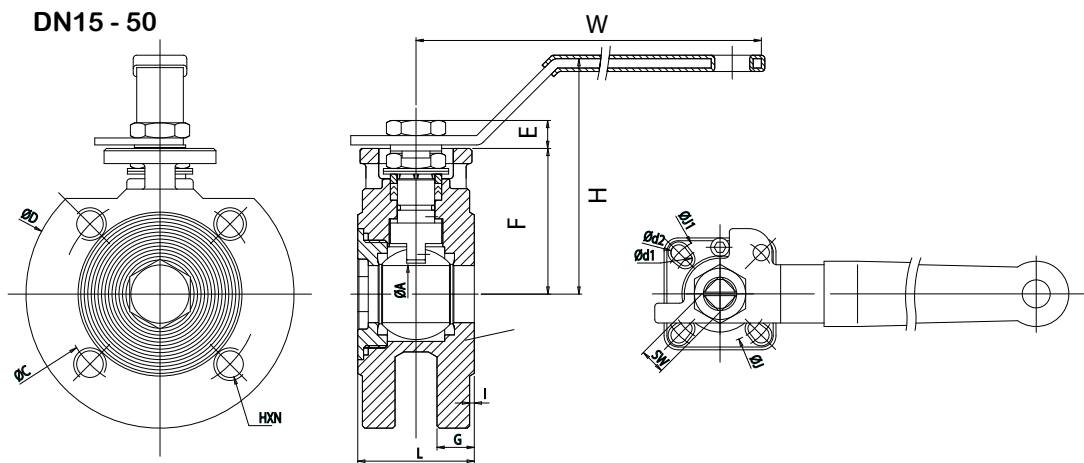


DN 65-80-100



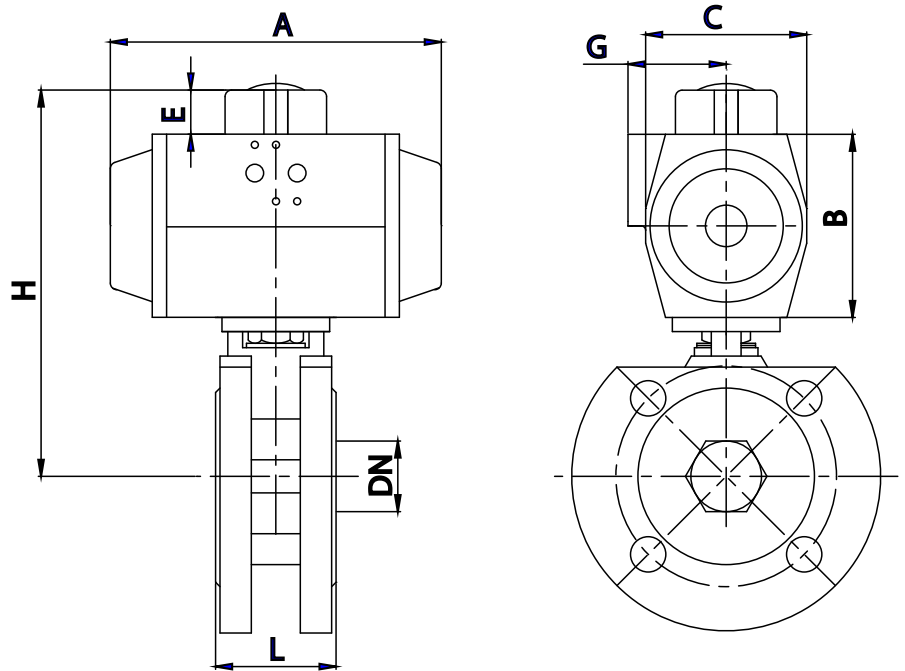
Item	Description	Material S15D	Material C15D
1	Body	SS316	Carbon steel
2	Insert	SS316	Carbon steel
3	Seat	PTFE	PTFE
4	Ball	SS316	SS304
5	Stem	SS316	SS304
6	Body packing	PTFE	PTFE
7	Seal	PTFE	PTFE
8	Seal	PTFE	PTFE
9	O-ring	Viton®	Viton®
10	Gland	SS	SS
11	Spring disc	SS	SS
12	Lever	SS	SS
13	Nut	SS	SS
14	Stop bolt	SS	SS
15	Grip	PVC	PVC
16	Locking tab	SS	SS
17	Spring	SS316	SS316
18	Ball	SS316	SS316
19	Stop plate	SS	SS
20	Spacer	SS	SS
21	Bolt	SS	SS

S15D SS316 Wafer type ball valve PN16 - DN 15 up to DN 100



Dimensions DN 15 up to DN 50 [mm]							DN 65 up to 100 [mm]		
DN	15	20	25	32	40	50	65	80	100
A	16	20	25	32	40	50	65	80	96
C	65	75	85	100	110	125	145	160	180
D	95	105	115	140	150	165	185	200	220
H	89	89	101	112	116	125	154	165	180
W	114	114	187	187	222	222	350	350	350
G	14	16	16	16	16	18	18	20	20
J	36	36	42	42	50	50	70	70	70
J1	42	42	50	50	70	70	102	102	102
d	6	6	6	6	7	7	9	9	9
d1	6	6	7	7	9	9	11	11	11
SW	9	9	11	11	14	14	17	17	17
H x N	M12x4	M12x4	M12x4	M16x4	M16x4	M16x4	M16x4	M16x8	M16x8
L	42	44	50	54	68	82	103	122	152
l	2	2	2	2	3	3	3	3	3
F	54	56	62.5	72	78	87.2	107	117.3	132.3
E	8	8	12	12	14.8	14.8	17.1	17.1	17.1
Weight [kg]	1.5	1.9	2.6	3.7	4.6	6.4	10.5	13.5	20

S15D SS316 Wafer type ball valve PN16 - DN 15 up to DN 100



With double acting pneumatic actuator [mm]									
DN	DW	A	B	C	E	G	H	L	Weight [kg]
DN15 (1/2")	AP1D	137	87	60	20	41	141	42	2.5
DN20 (3/4")	AP1D	137	87	60	20	41	143	44	3.0
DN25 (1")	AP2D	150	103	73	20	44.5	166	50	4.0
DN32 (1 1/4")	AP2D	150	103	73	20	44.5	175	54	5.1
DN40 (1 1/2")	AP3D	204	120	85	20	49.5	198	68	7.1
DN50 (2")	AP3D	204	120	85	20	49.5	208	82	9.0
DN65 (2 1/2")	AP3.5D	230	130	98	20	53	237	103	14.2
DN80 (3")	AP3.5D	230	130	98	20	53	248	122	17.4
DN100 (4")	AP4D	305	145	110	20	58	278	152	28.1

With single acting pneumatic actuator [mm]									
DN	EW	A	B	C	E	G	H	L	Weight [kg]
DN15 (1/2")	AP2S	150	103	73	20	44.5	157	42	3.1
DN20 (3/4")	AP2S	150	103	73	20	44.5	159	44	3.5
DN25 (1")	AP3S	204	120	85	20	49.5	183	50	5.6
DN32 (1 1/4")	AP3S	204	120	85	20	49.5	192	54	6.7
DN40 (1 1/2")	AP3.5S	230	130	98	20	53	208	68	9.0
DN50 (2")	AP3.5S	230	130	98	20	53	218	82	11.0
DN65 (2 1/2")	AP4S	271	145	110	30	58	252	103	16.2
DN80 (3")	AP4.5S	305	172	128	30	69	318	122	23.1
DN100 (4")	AP5S	360	185	140	30	-	348	152	32.2

Pneumatic actuators are based on PTFE seat rings, minimum air pressure of 6 bar(g) and medium of clean water 20°C with at 6 bar pressure