

## S216D/C216D Flanged Ball Valve PN16 - DN 125 - 150



### Description

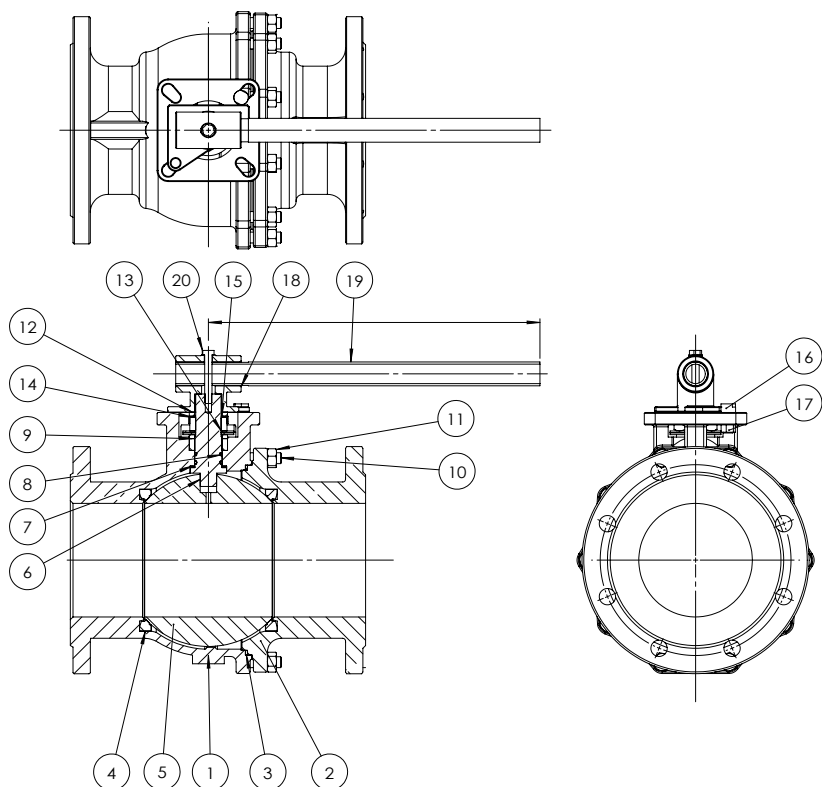
- 2-way Flanged Ball valve with face to face according to DIN3202 F5
- Full bore
- Body SS316 or Carbon steel, Ball and stem SS316 or SS304
- Mounting flange ISO 5211 for direct mounting pneumatic or electric Actuators
- Seats and Seals PTFE
- Pressure class PN16, Flanged RF DIN2501
- Blow-out proof stem, lockable lever
- Suitable for vacuum
- Anti static
- Temperature -30° C up to 180° C.

### Options:

- Automatic electric or pneumatic actuator
- Stem extension
- End switches
- 

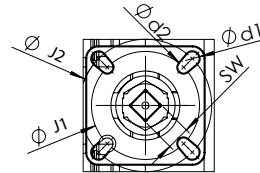
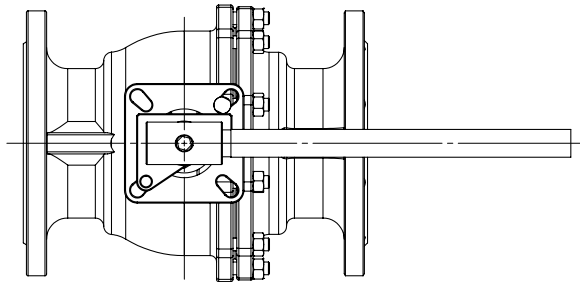
### Certificates:

- 3.1 Material certificate
- CE declaration
- 

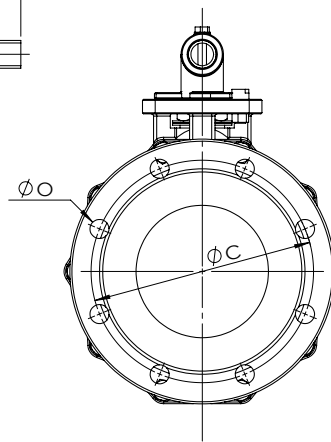
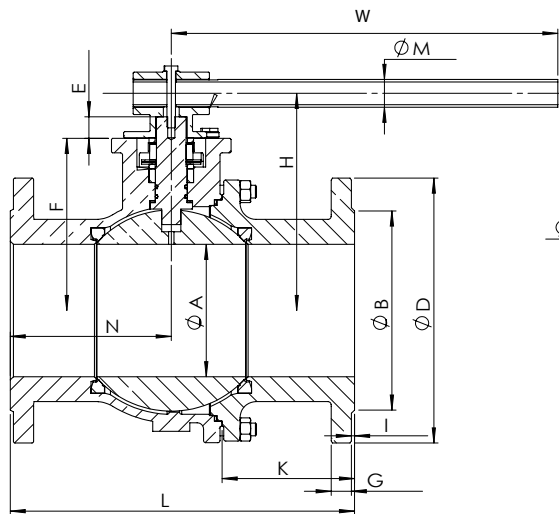


Item	Description	Material S216D	Material C216D
1	Body	SS 316	Carbon steel
2	End seal	S 316	Carbon steel
3	Body seal	PTFE	PTFE
4	Seat	PTFE	PTFE
5	Ball	SS 316	SS 304
6	Stem	SS 316	SS 304
7	Thrust washer	PTFE	PTFE
8	O-ring	Viton®	Viton®
9	Seal	PTFE	PTFE
10	Stud	SS	SS
11	Nut	SS	SS
12	Gland	SS	SS
13	Spring disc	SS	SS
14	Nut	SS	SS
15	Locking tab	SS	SS
16	Stoppin	SS	SS
17	Nut	SS	SS
18	T piece	SS	SS
19	Pipe	SS	SS
20	Bolt	SS	SS

## S216D/C216D Flanged Ball Valve PN16 - DN 125 - DN 150

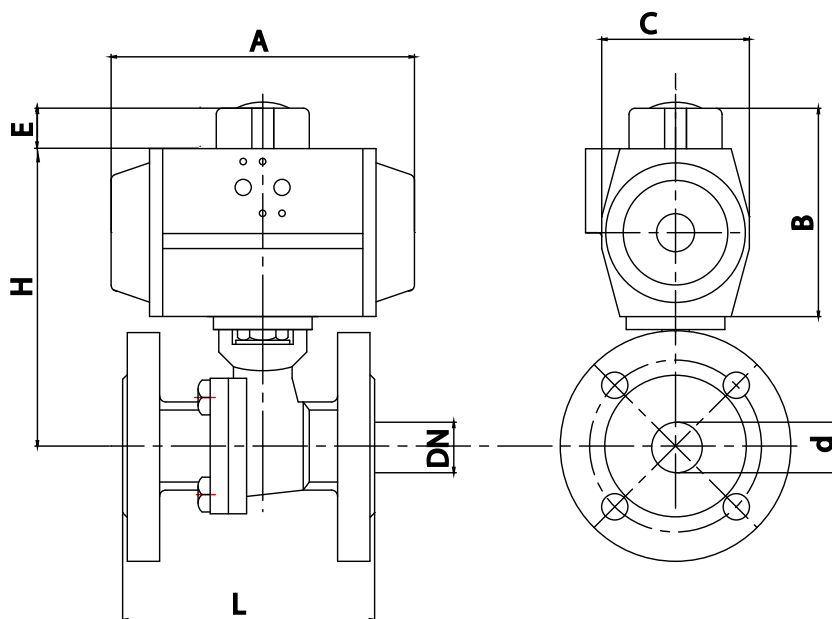


ISO 5211 Mounting Pad



Dimensions DN 125 - DN 150 PN16 [mm]																					
DN	A	B	C	D	E	F	G	H	I	J1	J2	d1	d2	K	N	SW	M	O	W	L	Weight [kg]
125	125	188	210	250	20.4	162.5	19	205	3	102	125	13	11	125	152	22	26.3	22	365	325	48
150	150	212	240	285	27	216.2	19	275	3	102	125	13	11	120	185	27	34	22	500	350	69

## S216D/C216D Flanged Ball Valve PN16 - DN 125 - DN 150



With pneumatic double acting actuator [mm]									PN16
DN	DW	A	B	C	d	E	H	L	Weigth [kg]
125	AP5D	366	185	140	125	30	318	325	57
150	AP5.5D	388	206	160	150	30	393	350	82
With pneumatic single acting actuator [mm]									
125	AP6S	468	230	175	125	30	363	325	69
150	AP6S	468	230	175	150	30	417	350	89
Pneumatic actuators are based on PTFE seat rings, minimum air pressure of 6 bar(g) and medium of clean water 20°C with at 6 bar pressure									