

S22D SS316 2-piece ball valve - 1/4" up to 2"



Description

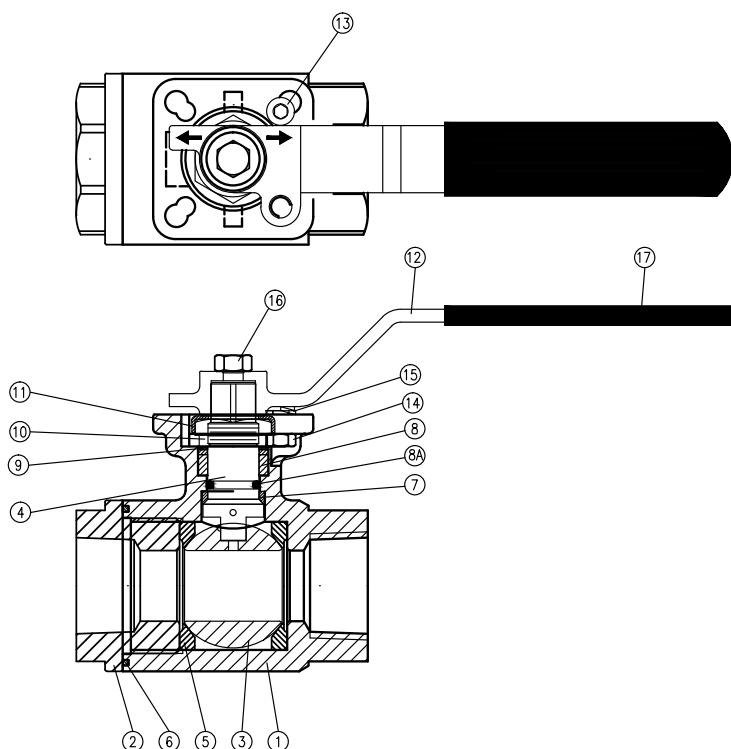
- 2-Way ball valve with BSP female threaded
- Full bore
- Body, ball and stem in SS316
- Mounting flange ISO 5211 for direct mounting pneumatic or electric actuators
- Seats PEEK
- Working pressure maximum 200 Barg
- Temperature -30° up to + 180° C.
- BSP female threaded
- Lockable lever
- Anti-static

Options:

- Automatic electric or pneumatic actuation
- NPT female threaded
- Stem extension

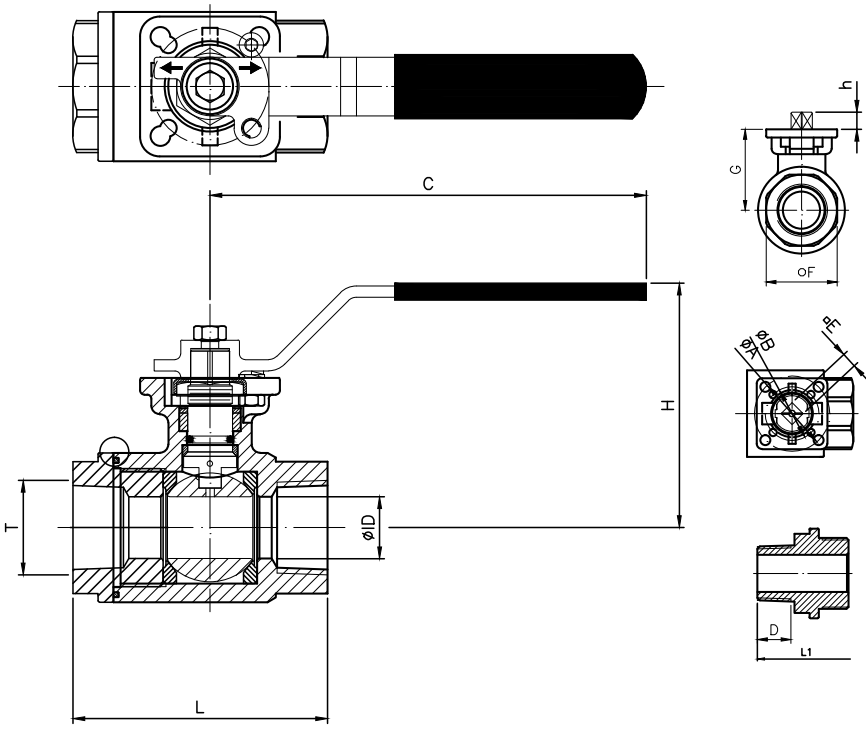
Certificats:

- 3.1 Material certificate
- CE declaration



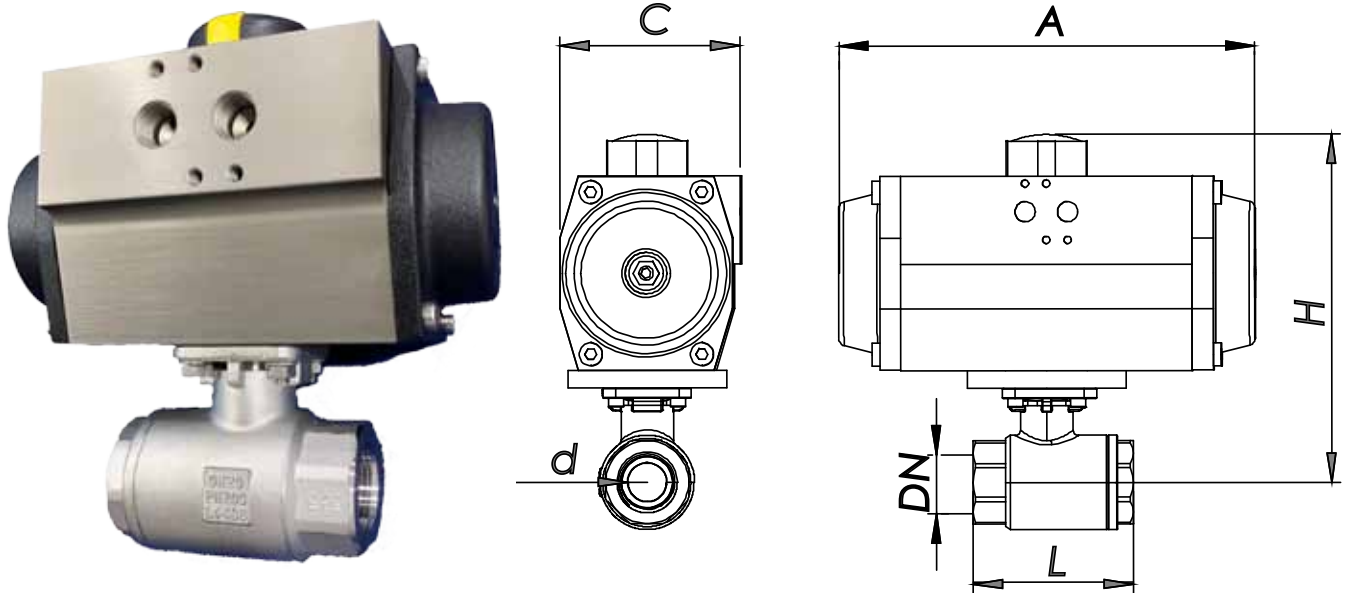
Item	Description	Material
1	Body	SS 316
2	Endcap	SS 316
3	Ball	SS316
4	Stem (anti-static)	SS 316
5	Seat	PEEK
6	Bodypacking	PTFE
7	Seal	PTFE
8	Stempacking	PTFE
8A	O-ring	Viton®
9	Gland	SS 304
10	Nut	SS
11	Spring disc	SS
12	Lever	SS
13	Stop	SS
14	Nut	SS
15	Washer	SS
16	Nut	SS
17	Grip	Vinyl

S22D SS316 2-piece ball valve - 1/4" up to 2"



Dimensions 1/4" up to 2" [mm]								
d	1/4"	3/8"	1/2"	3/4"	1"	1 1/4"	1 1/2"	2"
ID	9.6	9.6	12.7	17.5	22.1	29	34.7	34.7
L-BSP	75	75	75	81	91	110	121	145
H	72	72	72	75	87	93	114	114
C	126	126	126	126	156	156	181	181
G	41	41	41	43.8	53.5	59	75.2	75.2
A = ØP-ISO	36	36	36	36	42	42	50	50
B = ØP-ISO	42	42	42	42	50	50	70	70
D	11.4	11.4	15	16	20	21	22	23
E	9	9	9	9	11	11	14	14
h	8	8	8	8	10	10	13	13
F	25.9	25.9	32.6	38.4	47.2	58.9	66.2	82
Weight [kg]	0,7	0,65	0,6	0,8	1,3	2,3	3,6	4,7

S22D SS316 2-piece ball valve - 1/4" up to 2"



With double acting pneumatic actuator [mm]						
DN (d)	DW	A	C	H	L BSP	Weight [kg]
DN15 (1/2")	AP2D	155	73	144	75	1,9
DN20 (3/4")	AP2D	155	73	152	81	2,1
DN25 (1")	AP3D	155	73	174	91	3,8

With single acting pneumatic actuator [mm]						
DN (d)	EW	A	C	H	L BSP	Weight (kg)
DN15 (1/2")	AP3S	213	85	171	75	3,6
DN20 (3/4")	AP3S	213	85	179	81	3,8
DN25 (1")	AP3.5S	236	98	194	91	5,7

Pneumatic actuators are based on PEEK seat rings, minimum air pressure of 6 bar(g) and medium of clean water 20°C with at 6 bar pressure