

S24 SS316 2-piece high pressure ball valve - 1/4" up to 2"



Description

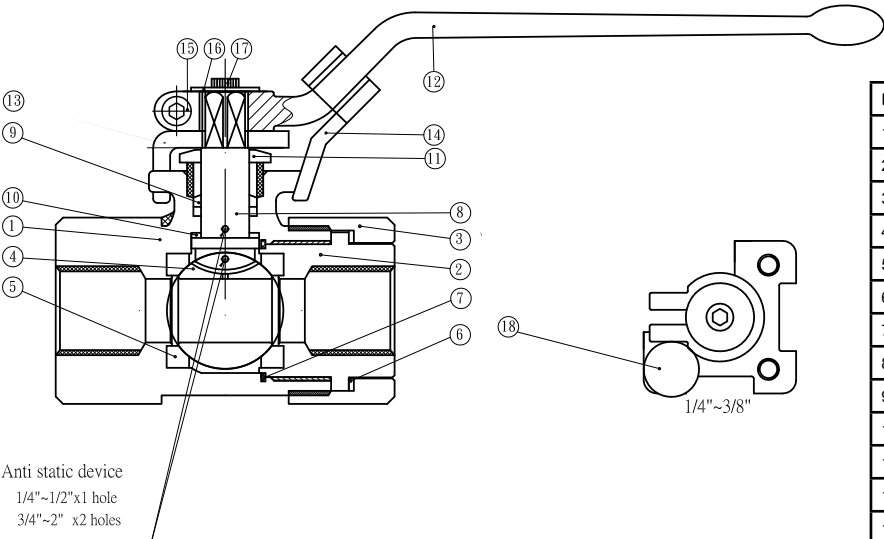
- 2-way ball valve BSP female threaded
- Full bore
- Body, Ball and Stem SS316
- Mounting flange ISO 5211 for mounting pneumatic or electric actuators
- Seats PEEK
- Working pressure maximum 400 Barg
- Temperature -20° up to 160° C.
- Suitable for vacuum

Options:

- Automatic electric or pneumatic actuation
- Stem extension
- Endswitches

Certificats:

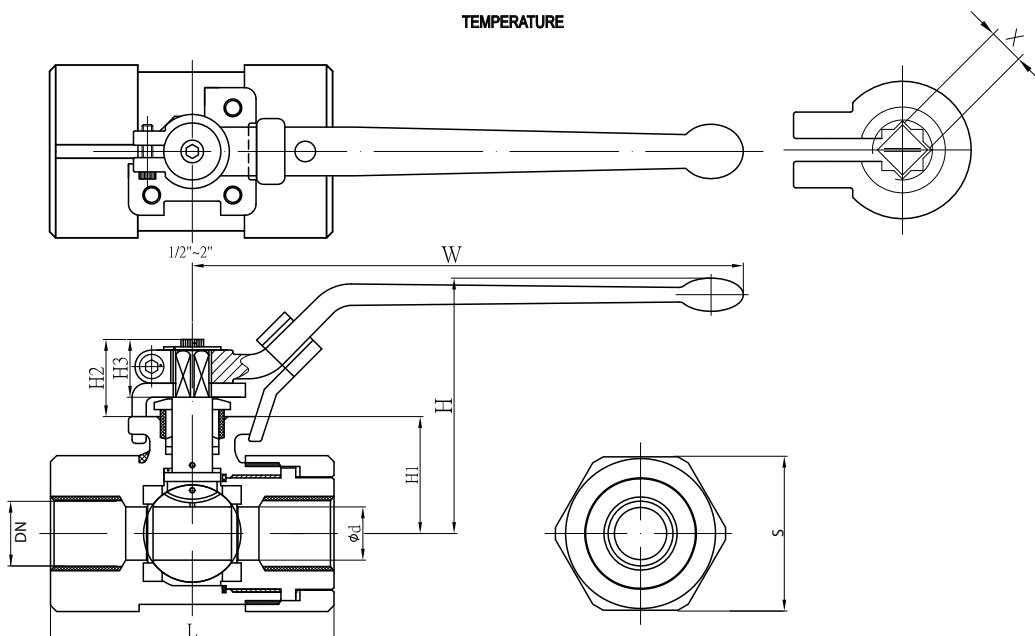
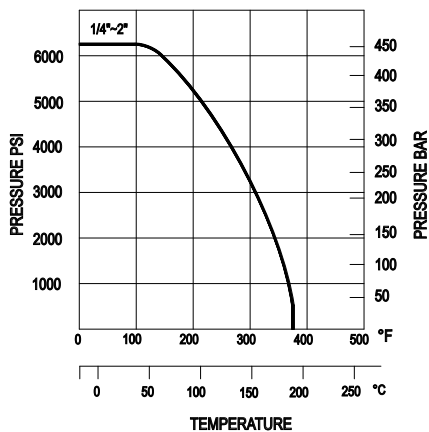
- 3.1 Material certificats
- CE declaration



Item	Description	Material
1	Body	SS316
2	Insert	SS316
3	Cap	SS316
4	Ball	SS316
5	Seat	PEEK
6	Seal	PTFE
7	Sealing	PTFE
8	Stem	SS316
9	Stem seal	PTFE
10	Thrust washer	PTFE
11	Nut	SS
12	Lever	SS
13	Stopper	SS
14	Locking device	SS
15	Nut	SS
16	Washer	SS
17	Nut	SS
18	Stop pin	SS

S24 SS316 2-piece high pressure ball valve - 1/4" up to 2"

PRESSURE-TEMPERATURE
RATING 1/4"-2"



Dimensions 1/4" up to 2" [mm]																
DN	1/4"		3/8"		1/2"		3/4"		1"		1 1/4"		1 1/2"		2"	
d	11.6		12.5		15		20		25		32		38		50	
W	150		120		150		150		180		180		235		235	
L	69		69		79		94		120		130		149		174	
H	66		66		72		81		105		115		125		135	
H1	30		30		33		40.8		46		55		67.5		76.5	
H2	20.3		20.3		22.7		24.3		32		33		38		37.5	
H3	16.8		16.8		16.8		17.8		24.9		24.9		30		30	
S	36		36		44		57		64		78		102		120	
X	6.5		6.5		6.5		6.5		8.5		10.5		17		17	
ISO top	F03	36	F03	36	F03	36	F03	36	F04	42	F05	50	F07	70	F07	70
Weight [kg]	0,7		0,7		0,91		1,72		2,65		4		8,27		12,16	