

S316D SS316 3-way ball valve PN16 - DN 15 up to DN 100



Description

- 3-way ball valve with flange connection PN16
- Full bore, L- or T-port
- Body, ball and stem SS316
- Mounting flange ISO 5211 for direct mounting pneumatic or electric actuators
- Seats and seals PTFE
- Pressure class PN16, flange RF DIN2501
- Blow-out proof stem, lockable lever
- Anti-static
- Temperature -30° C up to 200° C.
- DN 65, 80 and 100 Trunnion Mounted.

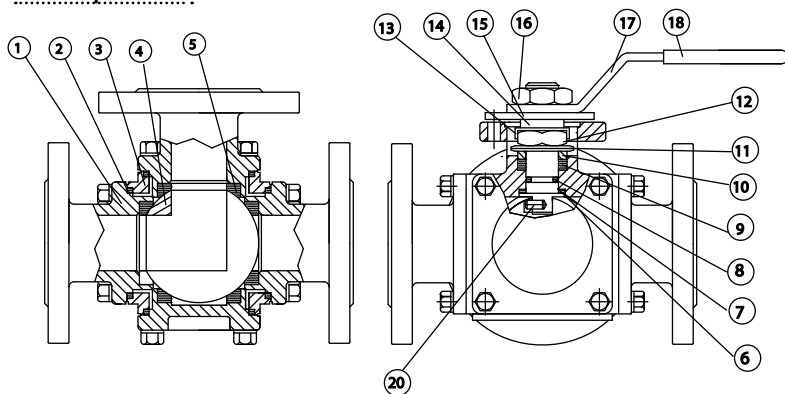
Options:

- Automatic electric or pneumatic actuation
 - Stem extension
 - Endswitches
 - Spring return lever up to DN 50
 - 4-way version L-T-X or I port
- TFM seat rings
Peek seat rings
Integral seat rings

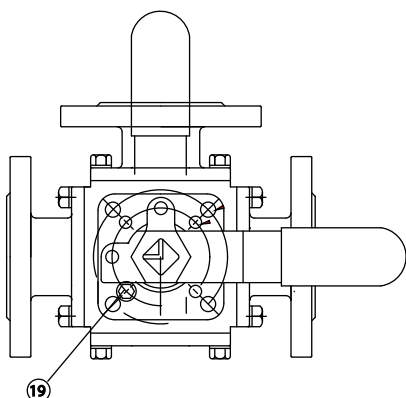
Certificats:

- 3.1 Material certificate
- CE declaration

DN 15 up to DN50



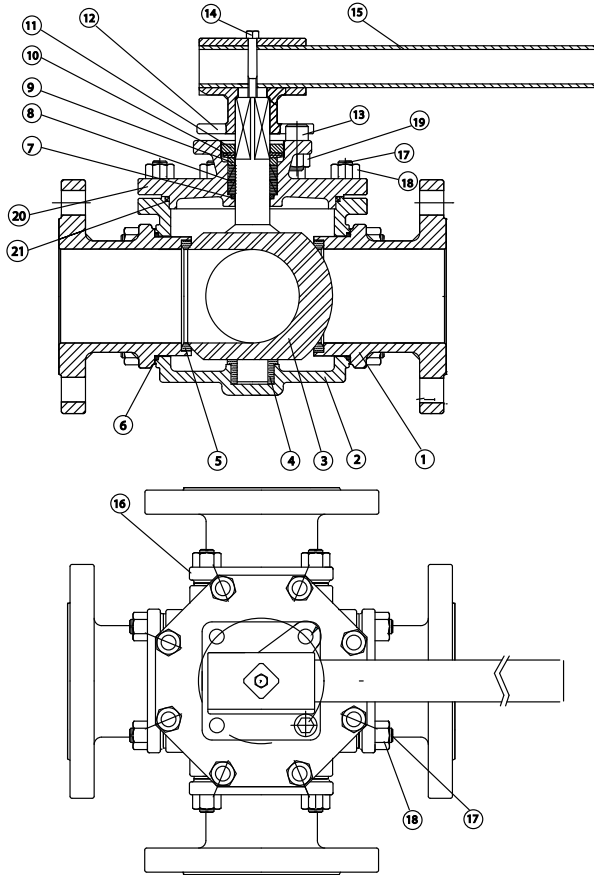
DN15 - 50



Item	Description	Material
1	Flange end	SS316
2	Packing	PTFE
3	Body	SS316
4	Ball	SS316
5	Seat	PTFE
6	Thrust washer	RPTFE
7	Stem	SS316
8	O-ring	Viton®
9	Stem seal	PTFE
10	Gland	SS
11	Spring disc	SS
12	Nut	SS
13	Locking ring	SS
14	Distance ring	SS
15	Locking plate	SS
16	Nut	SS
17	Lever	SS
18	Grip	PVC
19	Stop pin	SS
20	Ball + spring	SS316

S316D SS316 3-way ball valve PN16 - DN 15 up to DN 100

DN 65-80-100

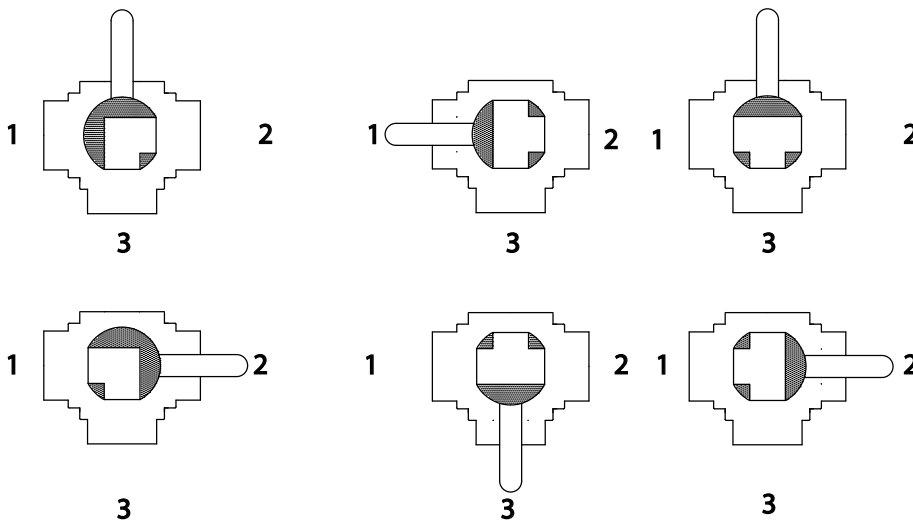


Item	Description	Material
1	Flange end	SS316
2	Body	SS316
3	Ball and stem	SS316
4	Bushing	PTFE+SS
5	Seat	PTFE
6	Seal	PTFE
7	O-ring	Viton®
8	Stem seal	PTFE
9	Gland	SS
10	Spring disc	SS
11	Stop plate	SS
12	Lever head	SS
13	Stop pin	SS
14	Bolt	SS
15	Lever	Steel
16	Cover	SS316
17	Bolt	SS
18	Nut	SS
19	Stop pin nut	SS
20	Cover	SS316
21	Seal	PTFE

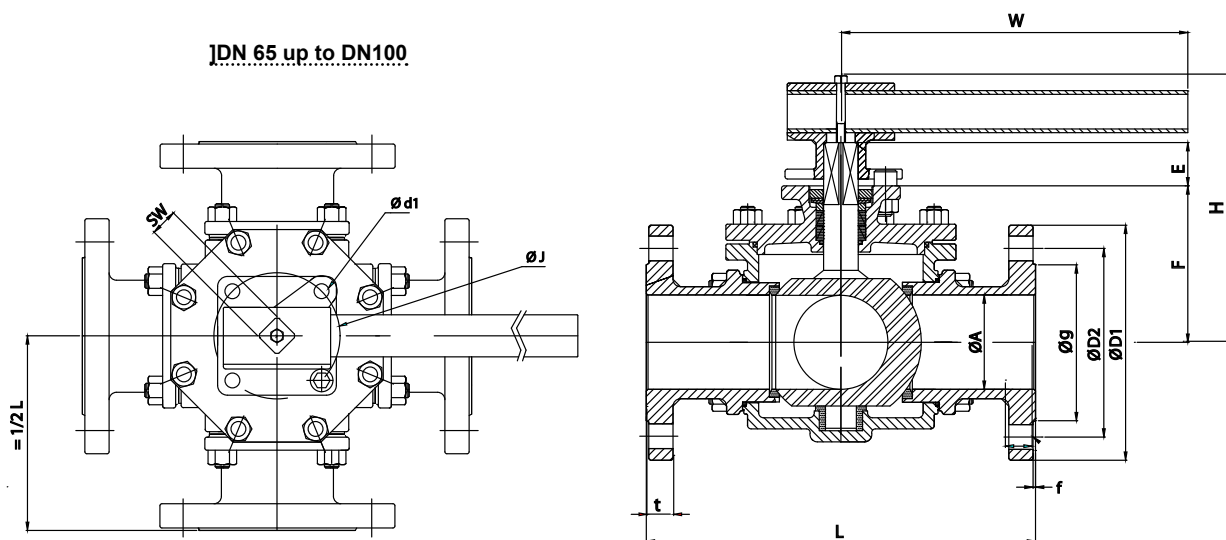
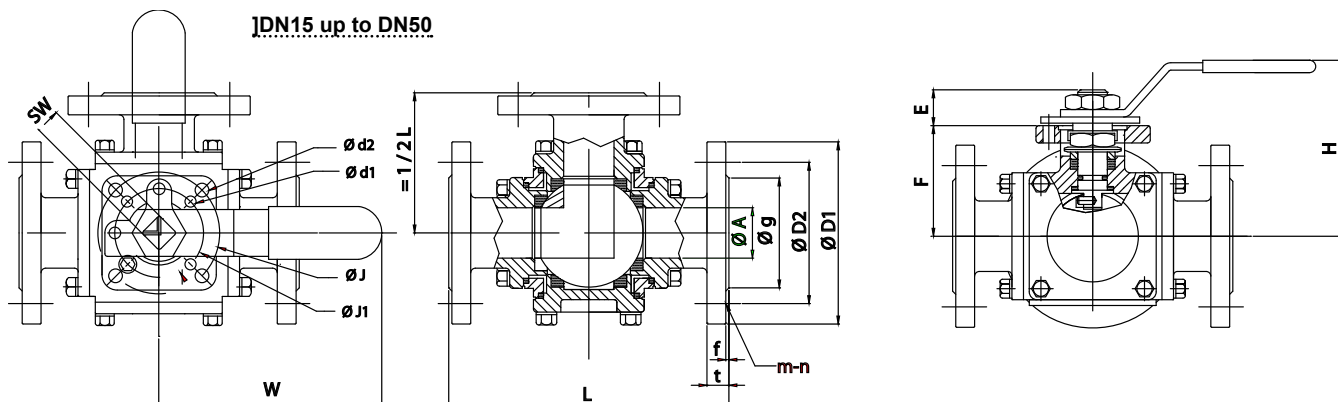
Positions possibilities Ball L- and T Port

L - PORT 90° TURN

T - PORT 90° TURN

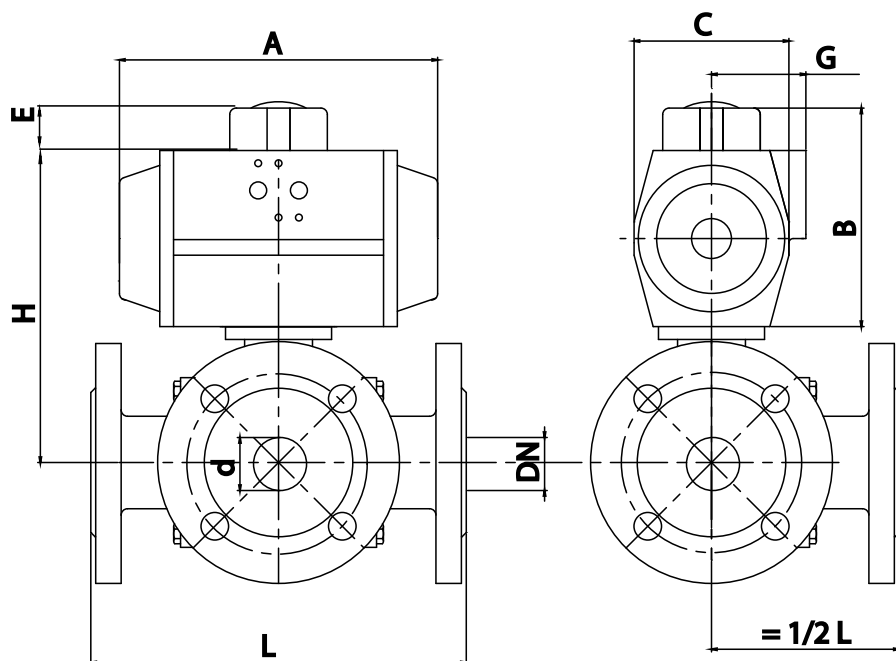


S316D SS316 3-way ball valve PN16 - DN 15 up to DN 100



Dimensions DN15" up to DN100 [mm]									
DN	15	20	25	32	40	50	65	80	100
A	15	20	25	32	38	50	62	76	96
L	160	177	190	208	234	273	300	305	368.5
H	62	82	89	98	108	140	200	218	230
W	130	165	165	205	205	325	400	500	650
F	41	49	55	63	74	93	118.5	136.5	156.5
E	11	14	14	18	18	23	25	25	25
J	42	50	50	70	70	102	102	102	102
J1	36	42	42	50	50	70	-	-	-
d1	6.0	6.0	6.0	7.1	7.1	9.2	11	11	11
d2	6.0	7.1	7.1	9.2	9.2	11.4	-	-	-
SW	9	11	11	14	14	17	22	22	22
g	45	58	68	78	88	102	122	138	158
D1	95	105	115	140	150	165	185	200	220
D2	65	75	85	100	110	125	145	160	180
f-t	2-14	2-16	2-16	2-16	3-16	3-18	3-18	3-20	3-20
Weight [kg]	4.36	5.62	7.2	10.54	14.52	23.52	28.1	36.58	60.3

S316D SS316 3-way ball valve PN16 - DN 15 up to DN 100



With double acting pneumatic actuator [mm]										
DN (d)	DW	A	B	C	E	d	G	H	L	Weight [kg]
DN15 (1/2")	AP1D	142	67	60	20	15	41	88	160	5.2
DN20 (3/4")	AP2D	155	83	73	20	20	44.5	112	177	6.8
DN25 (1")	AP3D	213	100	85	20	25	49.5	135	190	9.7
DN32 (1 1/4")	AP3D	213	100	85	20	32	49.5	143	208	13.1
DN40 (1 1/2")	AP3D	213	100	85	20	38	49.5	154	234	16.9
DN50 (2")	AP3.5D	236	110	98	20	50	53	183	273	27.4
DN65 (2 1/2")	AP4.5D	310	142	128	30	62	69	230.5	300	35.7
DN80 (3")	AP4.5D	310	142	128	30	76	69	248.5	305	47.1
DN100 (4")	AP5D	366	155	140	30	96	-	281.5	368.5	69.5

With single acting pneumatic actuator [mm]										
DN (d)	EW	A	B	C	E	d	G	H	L	Weight [kg]
DN15 (1/2")	AP2S	155	83	73	20	15	44.5	104	160	5.8
DN20 (3/4")	AP3S	213	100	85	20	20	49.5	129	177	8.5
DN25 (1")	AP3S	213	100	85	20	25	49.5	135	190	10.1
DN32 (1 1/4")	AP3.5S	236	110	98	20	32	53	153	208	14.9
DN40 (1 1/2")	AP4S	273	125	110	30	38	58	169	234	20.3
DN50 (2")	AP4.5S	310	142	128	30	50	69	205	273	33.1
DN65 (2 1/2")	AP5.5S	388	176	160	30	62	-	324.5 (B)	300	45.6
DN80 (3")	AP5.5S	388	176	160	30	76	-	342.5 (B)	305	57.2
DN100 (4")	AP6S	468	200	175	30	96	-	386.5 (B)	368.5	83.5

Pneumatic actuators are based on PTFE seat rings, minimum air pressure of 6 bar(g) and medium of clean water 20°C with at 6 bar pressure

* (B)= mounting with bracket