

## S33D SS316 3-piece ball valve - 1/2" up to 2"



### Description

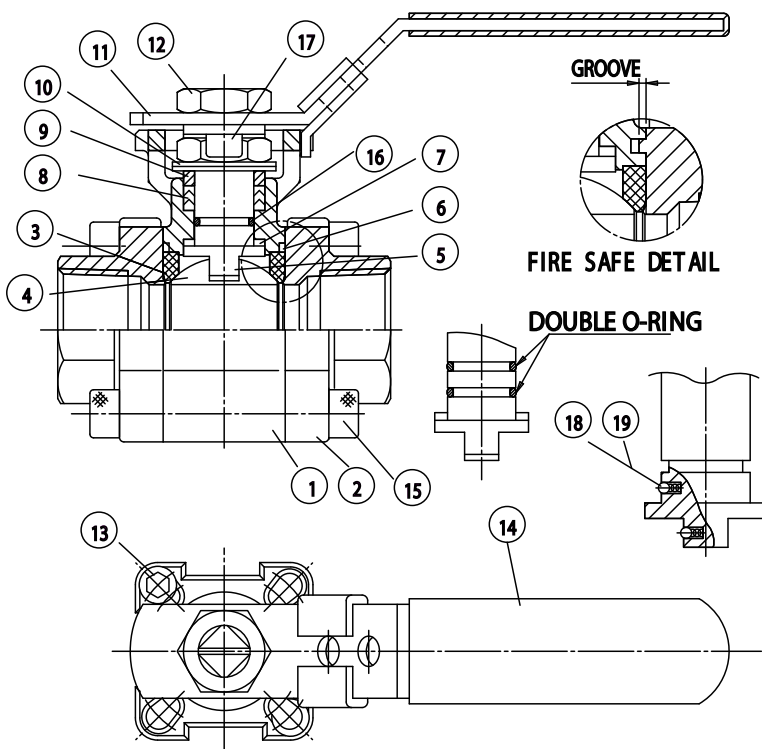
- 2-way ball valve with BSP female thread or BW ends
- Full bore
- Body, ball and stem in SS316
- Mounting flange ISO 5211 for direct mounting pneumatic or electric actuators
- Seats PTFE
- Working pressure maximum 100 Barg
- Temperature -30° up to + 180° C.
- Face to face BSP according to DIN 3203 M4, for But weld ends according to DIN 3202 S13
- Blow-out proof stem, lockable lever
- Anti-static , suitable for vacuum

### Options:

- Automatic electric or pneumatic actuation
- Socket weld or NPT female threaded ends
- Stem extension, Spring return lever up to 2"
- Fire safe version according to API607 4e edition
- 2 1/2" and 3" version

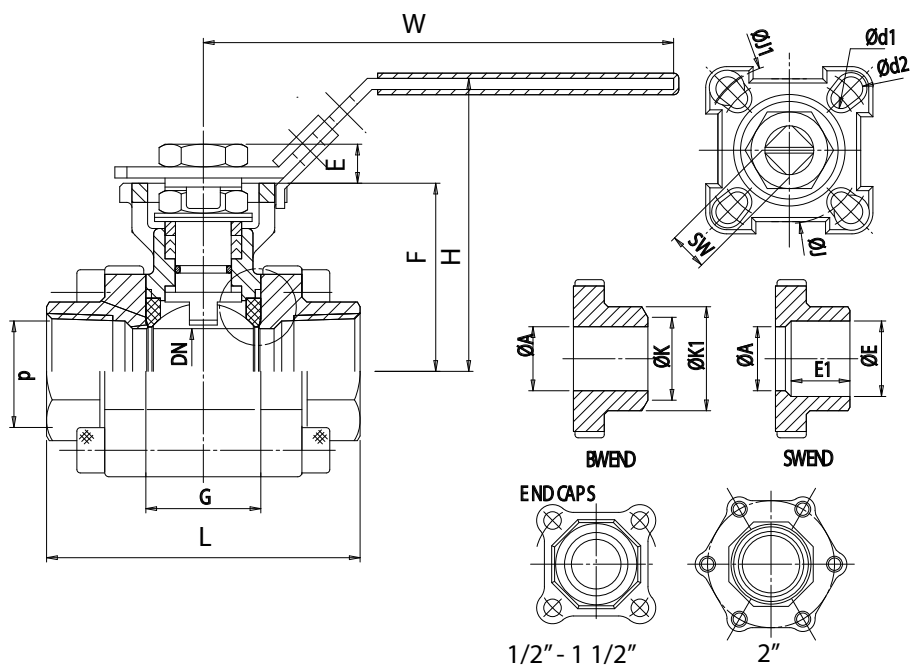
### Certificats:

- 3.1 Material certificate
- CE declaration
- Fire safe according to API607 4e edition
- TA-Luft declaration



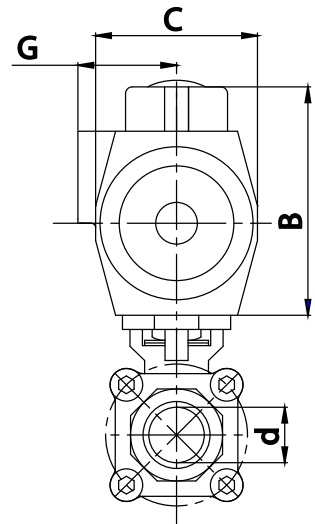
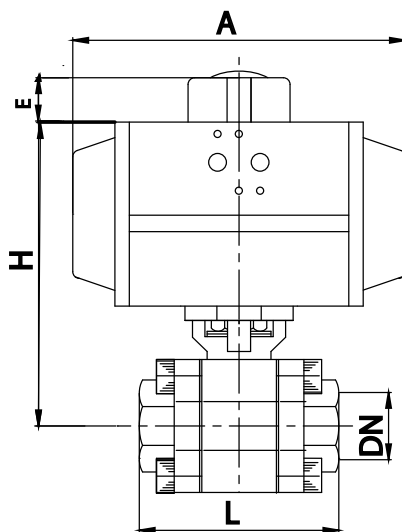
Item	Description	Material	
		Standard	Fire Safe
1	Body	SS316	SS316
2	End cap	SS316	SS316
3	Seat	PTFE 15% Glassfiber filled	PTFE 15% Glassfiber filled
4	Ball	SS316	SS316
5	Stem	SS316	SS316
6	Packing	PTFE	Graphite
7	Thrust washer	PTFE	PTFE
8	Seal	PTFE	Graphite
9	Gland	SS304	SS304
10	Spring discs	SS	SS
11	Lever	SS	SS
12	Nut	SS	SS
13	Stop	SS	SS
14	Grip	PVC	PVC
15	Bolts	SS	SS
16	O-ring	Viton®	Viton®
17	Locking device	SS	SS
18	Ball	SS	SS
19	Spring	SS	SS

## S33D SS316 3-piece ball valve - 1/2" up to 2"



Dimensions 1/4" up to 2" [mm]						
d	1/2"	3/4"	1"	1 1/4"	1 1/2"	2"
DN	16	20	24.5	32	38	50
L-BSP	75	80	90	110	120	140
L-BW	75	90	100	110	125	150
H	70.9	73.4	84.1	98.3	109.5	118.9
W	110	110	135	135	165	165
G	25.2	27.7	33	41.2	49.3	63.6
J = ØP-ISO	36	36	42	42	50	50
J1 = ØP-ISO	42	42	50	50	70	70
d1	6	6	6	6	7	7
d2	6	6	7	7	9	9
SW	9	9	11	11	14	14
E	8	8	10	10	14.8	14.8
K	17	22	28	37	43	54
K1	21.3	26.9	33.7	42.4	48.3	60.3
E1	11,2	14,3	15,8	17,5	19,1	21,3
F	42.3	44.8	54	59.2	73.5	82.9
Weight [kg]	0.826	1.014	1.698	2.575	3.707	6.58

## S33D SS316 3-piece ball valve - 1/2" up to 2"



With double acting pneumatic actuator [mm]										
DN (d)	DW	A	B	C	E	G	H	L BW	L BSP	Weight [kg]
DN15 (1/2")	AP1D	137	87	60	20	41	130	75	75	1.8
DN20 (3/4")	AP1D	137	87	60	20	41	132	90	80	2.0
DN25 (1")	AP2D	150	103	73	20	44.5	158	100	90	3.2
DN32 (1 1/4")	AP2D	150	103	73	20	44.5	163	110	110	4.2
DN40 (1 1/2")	AP3D	204	120	85	20	49.5	194	125	120	6.4
DN50 (2")	AP3D	204	120	85	20	49.5	204	150	140	9.2

With single acting pneumatic actuator [mm]										
DN (d)	EW	A	B	C	E	G	H	L BW	L BSP	Weight (kg)
DN15 (1/2")	AP2S	150	103	73	20	44.5	146	75	75	2.4
DN20 (3/4")	AP2S	150	103	73	20	44.5	148	90	80	2.7
DN25 (1")	AP3S	204	120	85	20	49.5	175	100	90	4.8
DN32 (1 1/4")	AP3S	204	120	85	20	49.5	180	110	110	5.8
DN40 (1 1/2")	AP3.5S	230	130	98	20	53	204	125	120	8.2
DN50 (2")	AP3.5S	230	130	98	20	53	214	150	140	11.2

Pneumatic actuators are based on PTFE seat rings, minimum air pressure of 6 bar(g) and medium of clean water 20°C with at 6 bar pressure