

S350D 3-way ball valve SS316 - DN 15 up to DN 50



Description

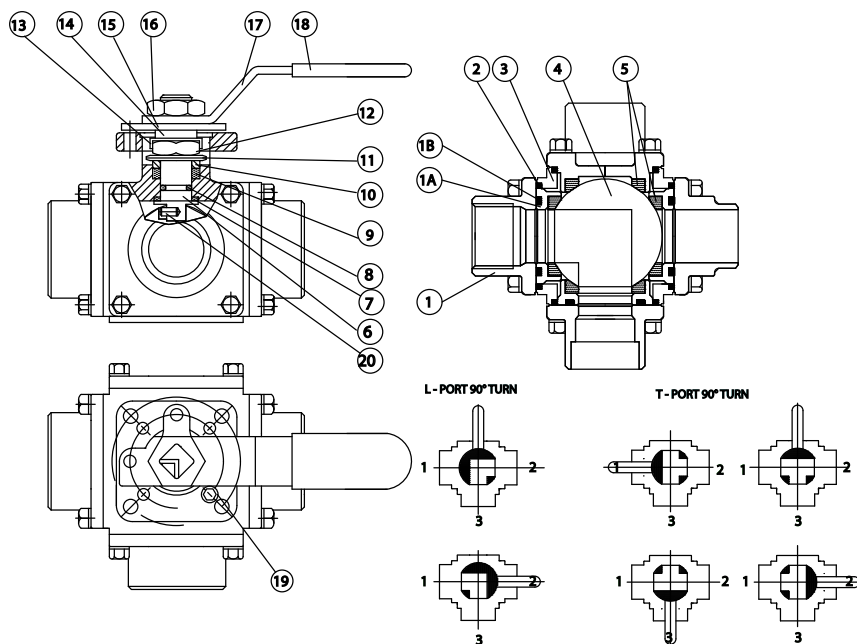
- 3-way ball valve BSP female threaded or BW ends
- Full bore
- Body, ball and stem SS316
- Mounting flange ISO 5211 for direct mounting pneumatic or electric actuators
- Seats and seals PTFE
- Simple disconnection from pipeline
- Blow-out proof stem, lockable lever
- Working pressure max. 40 barg
- Temperature -30° C up to 180° C.

Options:

- Automatic electric or pneumatic actuation
- Stem extension
- Endswitches
- Integral seats, Peek seats, Perlast O-rings
- Spring return lever up to 2''
- Socket weld ends
- 2 1/2", 3" and 4" version
- 4-way version L-T-X-I port

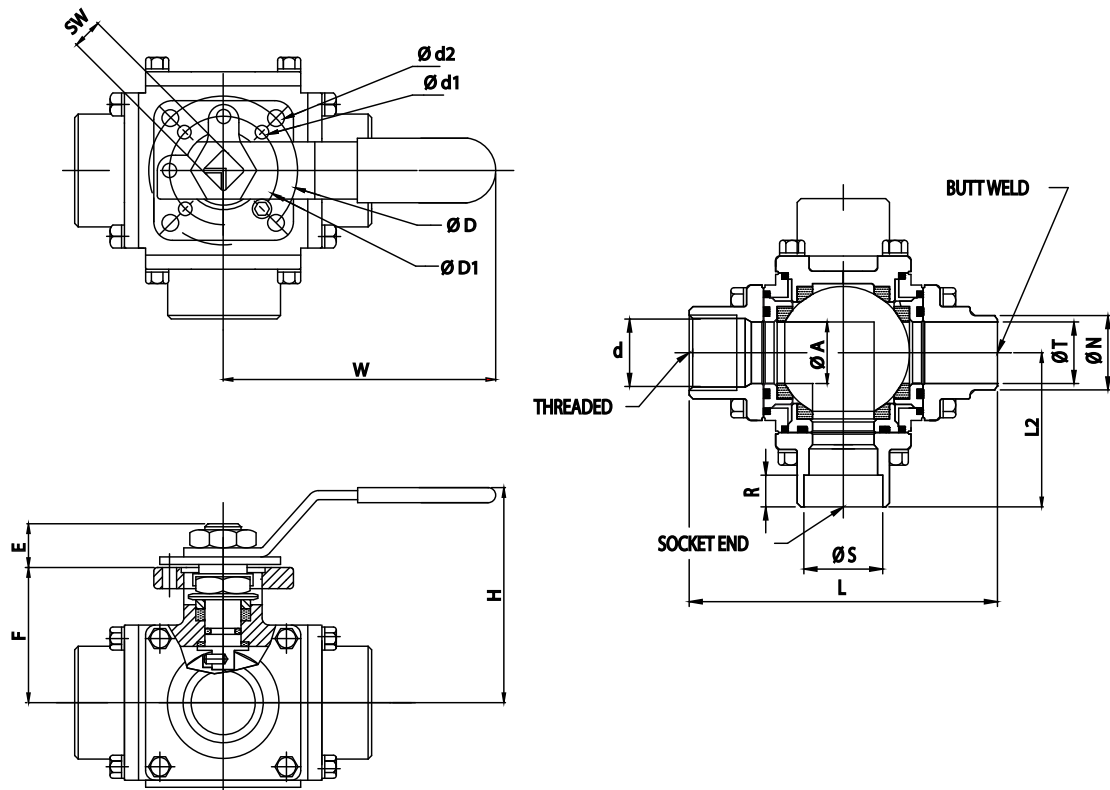
Certificats:

- 3.1 Material certificats
- CE declaration



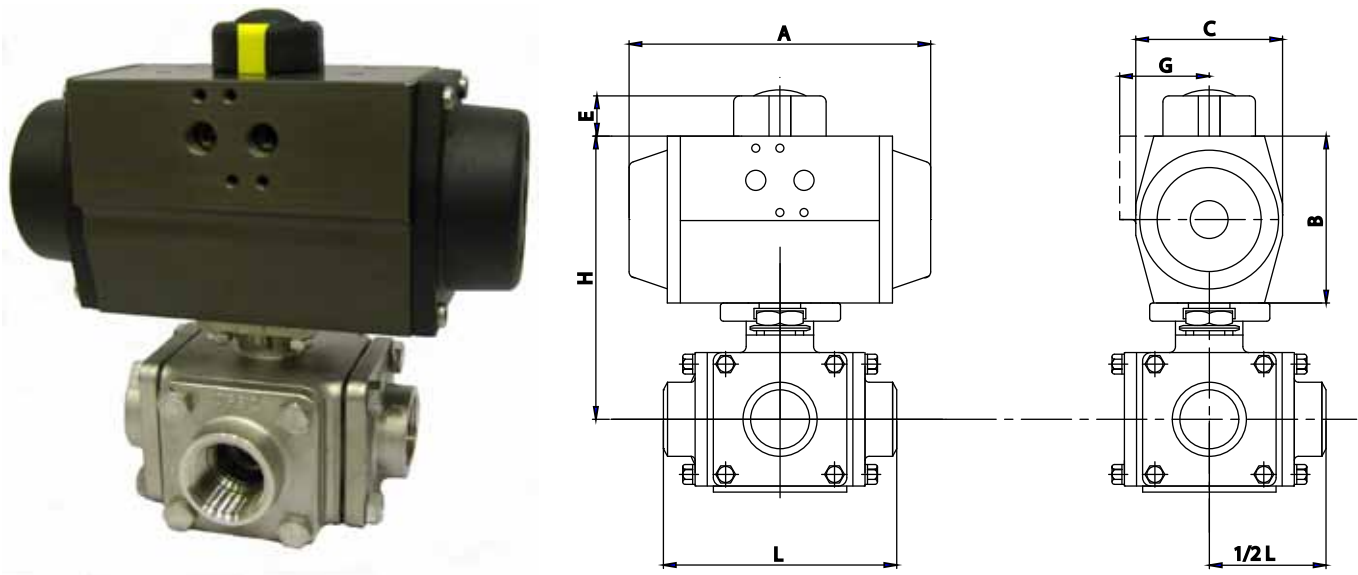
Item	Description	Material
1	End cap	SS316
1A	Seat holder	SS316
1B	Body packing	PTFE
2	Packing	PTFE
3	Body	SS316
4	Ball	SS316
5	Seat	RPTFE
6	Thrust washer	PTFE
7	Stem	SS316
8	O-ring	Viton®
9	Packing	PTFE
10	Gland	SS
11	Spring disc	SS
12	Nut	SS
13	Nut stop	SS
14	Washer	SS
15	Stop plate	SS
16	Nut	SS
17	Lever	SS
18	Grip	PVC
19	Stop pin	SS
20	Pin	SS

S350D 3-way ball valve SS316 - DN 15 up to DN 50



Dimensions DN 15 up to DN 50 [mm]						
DN (d)	15 (1/2")	20 (3/4")	25 (1")	32 (1 1/4")	40 (1 1/2")	50 (2")
A	15	20	25	31.8	38	50
L	104	111	127	138	158	190
L2	52	55.5	63.5	69	79	95
W	130	165	165	205	205	325
H	64	82	89	98	108	140
F	42	48.5	55.5	63	73.5	92.5
E	11	14	14	17	16	21
D	42	50	50	70	70	102
D1	36	42	42	50	50	70
d1	6.0	6.0	6.0	7.1	7.1	9.2
d2	6.0	7.1	7.1	9.2	9.2	11.4
SW	9	11	11	14	14	17
R	12.7	14.3	15.9	17.5	19.1	22.2
S	21.7	27.1	33.8	42.5	49.6	61.1
T	15	20	25	31.8	38	50
N	22.5	28.5	34.5	43.5	49.5	61.5
Weight [kg]	2,2	2,8	4	5,8	9,2	16,4

S350D 3-way ball valve SS316 - DN 15 up to DN 50



With double acting pneumatic actuator [mm]									
DN	DW	A	B	C	E	G	H	L	Weight [kg]
DN15 (1/2")	AP1D	142	67	60	20	41	128	105	3.2
DN20 (3/4")	AP2D	155	83	73	20	44,5	152	112	4.2
DN25 (1")	AP3D	213	100	85	20	49,5	175	128	6.7
DN32 (1 1/4")	AP3D	213	100	85	20	49,5	183	140	8.5
DN40 (1 1/2")	AP3D	213	100	85	20	49,5	194	160	11.7
DN50 (2")	AP3,5D	236	110	98	20	53	223	192	20.4

With single acting pneumatic actuator [mm]									
DN	EW	A	B	C	E	G	H	L	Weight [kg]
DN15 (1/2")	AP2S	155	83	73	20	44.5	144	105	3.8
DN20 (3/4")	AP3S	213	100	85	20	49,5	169	112	5.9
DN25 (1")	AP3S	213	100	85	20	49,5	175	128	7.7
DN32 (1 1/4")	AP3,5S	236	110	98	20	53	193	140	10.3
DN40 (1 1/2")	AP4S	276	125	110	30	58	229	160	15.1
DN50 (2")	AP4,5S	310	142	128	30	69	265	192	26.3

Pneumatic actuators are based on PTFE seat rings, minimum air pressure of 6 bar(g) and medium of clean water 20°C with at 6 bar pressure