

Vapco

own the flow

Accessoires



VTB850 Limitswitchbox



Description

The VTB850 series limitswitchboxes are suitable for mounting on actuators with VDE/VDI 3845 interface. The bracket, which is delivered standard with the box, is of multi-size design. Therefore this box suits almost all actuators with the same bracket. The cover of the box is connected with the box through 4 stainless steel screws. All boxes are IP65. The box is made from aluminium with an epoxy coating. Shafts are of stainless steel. The bracket is carbon steel with an epoxy coating. High-viz through a red/green indicator.

Specifications

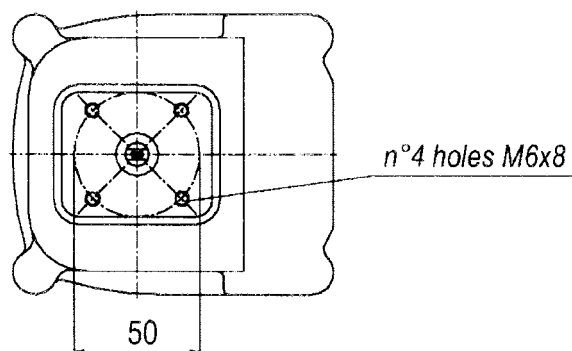
Enclosure: IP67
 Cable entry: 2 x M20 x 1,5
 Terminal strip: 9 contacts with possibility to connect solenoid valve
 Optical indication: red/green
 Weight: 0,95 kg

Materials

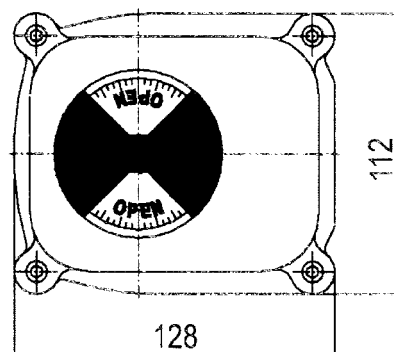
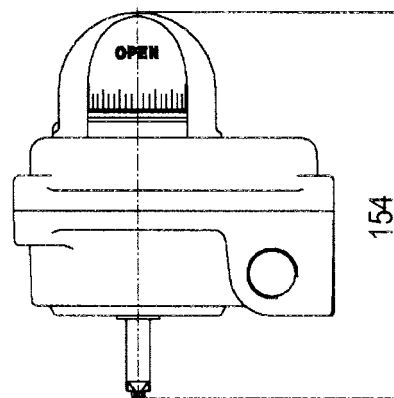
Body: Die cast aluminium black epoxy coated
 Deksel: Die cast aluminium black epoxy coated
 Optical indicator: Polycarbonate
 Shaft: Stainless steel
 Bushings: Bronze
 O-rings: Buna-N®
 Cams: Delrin®
 Spring: Stainless steel
 Screws: Stainless steel

Versions

VTB850: 2 off mechanical switches, 16A, 250V/AC – 0,5A, 125V/DC
 VTB860-40: 2 off proximity switches P&F NBB2-V3-E2
 VTB860-41: 2 off proximity switches P&F NJ4-12GM40-E2
 VTB860-42: 2 off proximity switches P&F NBB2-12-GM-50
 VTB860-43: 2 off proximity switches NBB3-V3-Z4
 VTB880: 2 off proximity switches IFM IA3010BPKG
 VTB890-30: 2 off proximity switches Eex"ia" P&F NJ2-V3-N 2GD ATEX
 VTB890-31: 2 off proximity switches Eex"ia" P&F SJ-3.5-N
 VTB890-32: 2 off proximity switches Eex"ia" P&F NCB2-12-GM-35NO
 VTB890-34: 2 off proximity switches P&F NJ2-12GM-N



according to ISO5211 (F05)



Rotork Instruments/Soldo switchboxes SK Eex “d”

Description

The SK series limitswitchboxes from Rotork/Soldo are suitable for mounting on all actuators with an connection according to VDE/VDI 3845. Standard we supply the mountingkit with it that fits different pneumatic actuators. The cover is connected with the box with 4 stainless steel bolts. The cover and the housing are made from aluminium black epoxy coated. Optical indication with high-viz red/green indicator. Atex certified SIL3, ATEX Ex II 2GD Exd IIC T4/T5/T6.

Specifications

Enclosure : IP67
 Terminal strip : 9 contacts with possibility to connect solenoid valve
 Optical indication: red/green
 Weight: 1,2 kg

Materials

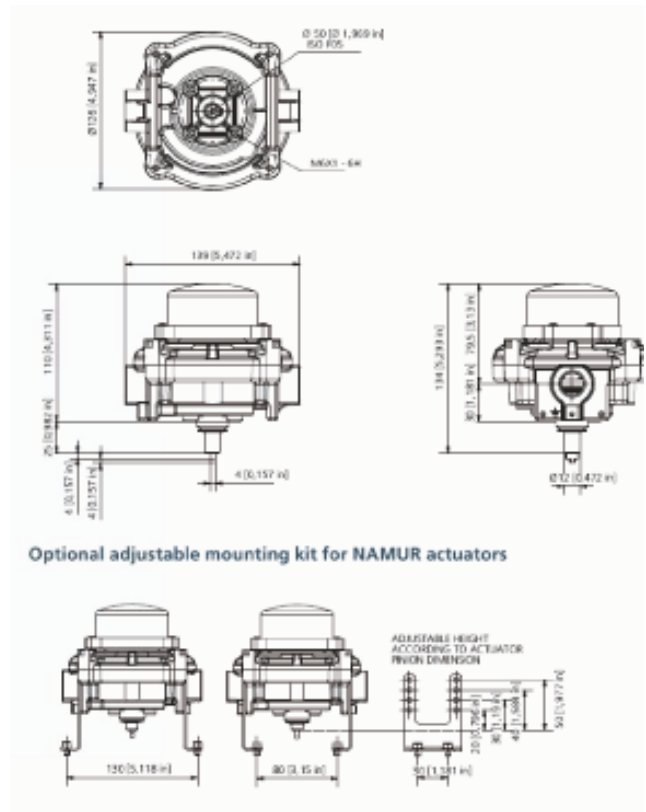
Body: Aluminium epoxy coated
 Cover: Aluminium epoxy coated
 Optical indicator: Polycarbonate
 Stem: Stainless steel
 Bolts: Stainless steel

Versions

SK01200-10X23L3-KN07: 2 pieces mechanical switches, SPDT silver plated contacts with possibility to wire the solenoid valve, 2 cable entries 1/2" NPT, -40 to 80°C

SK01200-20X23L3-KN07: 2 pieces mechanical switches, SPDT silver plated contacts with possibility to wire the solenoid valve, 2 cable entries M20, -40 to 80°C

Also available with:
 Mechanical switches gold plated contacts
 Magnetic Reed contacts
 Pepperl+Fuchs NJ2-V3-N
 Pepperl+Fuchs NBB2-V3-E2
 IFM IS5026
 Ask for the possibilities



VTB930/950/955 Namur Solenoid valve 5/2 or 3/2-way

Construction and function

Electro pneumatic spool valve operated with an permanent power signal and with an spring. According to Namur standard with an manual override. A filter or speed control can be placed direct on the exhaust port. Life time lubricated.



Coil	Specifications
Dimensions	MA22
Power consumption	DC 3 W AC 5 VA
Voltage tolerance	+/- 10%
Duty rating	100%

Type nr	VTB930/950	VTB955
Recommended media	Filtered and lubricated or filtered non-lubricated air	
Connections	G 1/4"	
Nominal size	7 mm	8 mm
Nominal flow	1250 l/min	1500 l/min
Working pressure	1,5....10 bar	
Response time at 6 bar	13/16 ms	
Temperature range	-20°C...+70°C	
Materials	Body: anodized aluminium. Internal parts: brass and plastic, stainless steel pinion, Seals: NBR	
Standard voltages	12V/24V DC, 24V/110V/220V 50/60Hz	
Coil data	See above	
Isolation	IP 65 according to DIN 40050	
Weight	0.37 kg	0.45 kg

Article numbers

3/2 way valves

- VTB930 YI 24V/DC
- VTB930 YJ 24V/50-60Hz
- VTB930 YK 230V/50-60Hz
- VTB930 YL 24V/DC, Eex "m"
- VTB930 YM 230V/50-60Hz, Eex "m"
- VTB930 YN 24V DC EEx"ia"

5/2 way valves

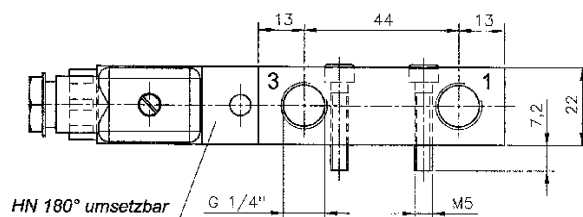
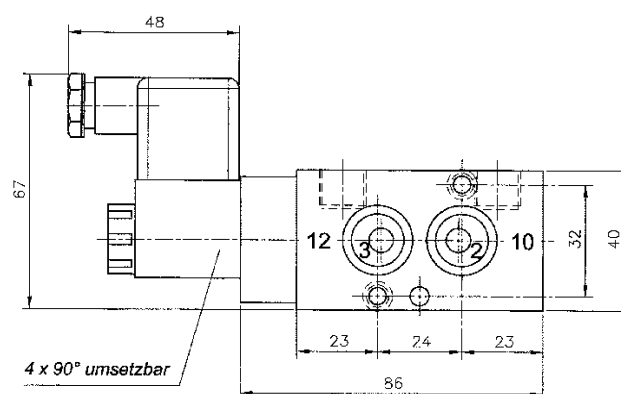
- VTB950 AI 24V/DC
- VTB950 AJ 24V/50-60Hz
- VTB950 AK 230V/50-60Hz
- VTB950 AM 24V/DC, Eex "m"
- VTB950 AQ 230V/50-60Hz, Eex "m"
- VTB950 BQ 115V/50Hz
- VTB950 BG 12V/60Hz

- VTB955 DI 24V/DC
- VTB955 DJ 24V/50-60Hz
- VTB955 DK 230V/50-60Hz
- VTB955 DM 24V/DC, Eex "m"
- VTB955 DQ 230V/50-60Hz, Eex "m"
- VTB955 EQ 115V/50Hz
- VTB955 EG 12V/60Hz

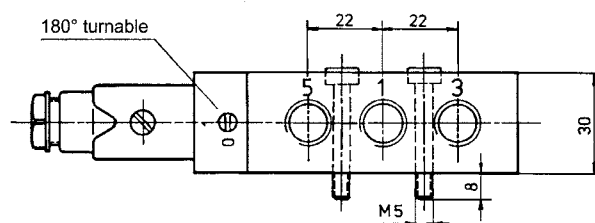
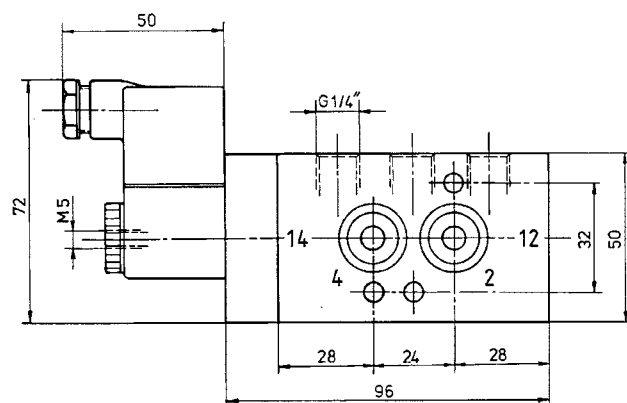
Options

- Eex "ia" Coils
- Dual-coil execution
- Different voltages and versions on request
- Led plug

VTB930/950



VTB955



VTB970/980 Namur II Magneetventiel 5/2 of 3/2-weg

Construction and function

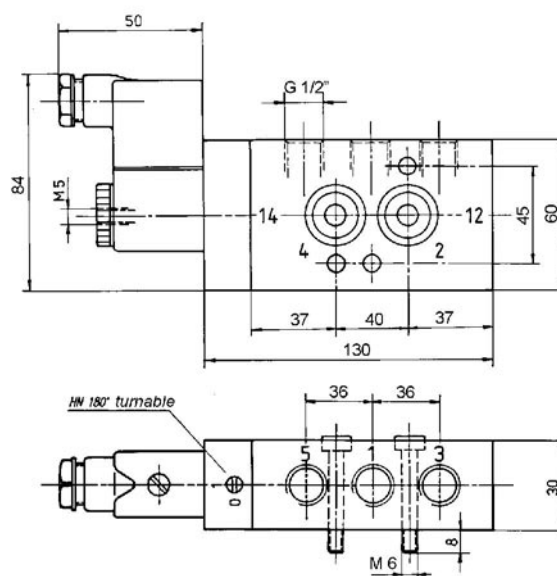
Electro pneumatic spool valve operated with an permanent power signal and with an spring According to Namur standard with an manual override. A filter or speed control can be placed direct on the exhaust port. Life time lubricated.



Coil	Specifications
Dimensions	MA22
Power consumption	DC 3 W AC 5 VA
Voltage tolerance	+/- 10%
Duty rating	100%

VTB970/980

Type nr	VTB970 VTB980
Recommended media	Filtered and lubricated or filtered non-lubricated air
Connections	G 1/2"
Nominal size	10 mm
Nominal flow	3000 l/min
Working pressure	1,5...10 bar
Response time at 6 bar	13/16 ms
Temperatur range	-20°C...+70°C
Materials	Body: anodized aluminium. Internal parts: brass and plastic, stainless steel pinion, Seals: NBR
Standard voltages	12V/24V DC, 24V/110V/220V 50/60Hz
Coil data	Zie boven
Insulation	IP 65 according to DIN 40050
Weight	0.75 kg



Article numbers

5/2 way valves

- VTB970 XI 24V/DC
- VTB970 XJ 24V/50-60Hz
- VTB970 XK 230V/50-60Hz
- VTB970 XM 24V/DC, Eex "m"
- VTB970 XQ 230V/50-60Hz, Eex "m"

Options

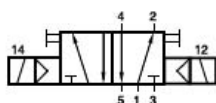
- Eex "ia" coils
- Dual-coil execution
- Different voltages and versions on request
- VTB 980 3/2 way version
- Led plug

VTB966 and VTB970 Dual Namur Solenoid valve 5/2-way

Construction and function

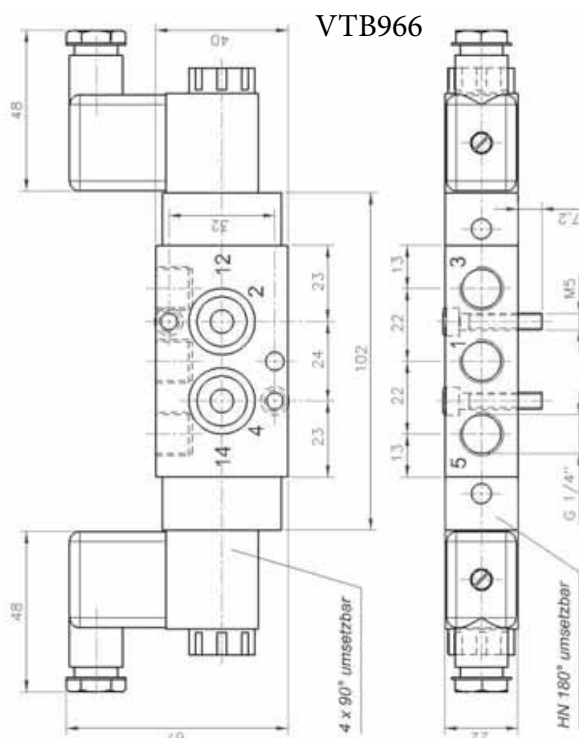
Electro pneumatic spool valve with dual coil operated with an power signal. According to Namur standard with an manual override.

5/2 way version operated by power signal. Position remains until the following power signal is given, even when the signal is stopped. A filter or speed control can be placed direct on the exhaust port. Life time lubricated.

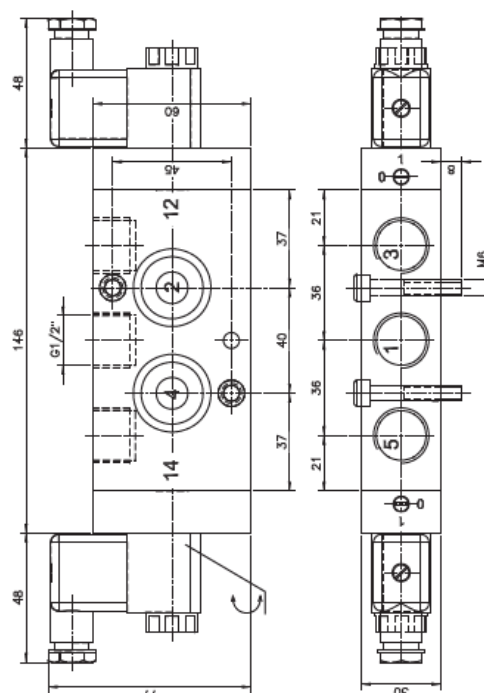


Coil	Specifications
Dimensions	MA22
Power consumption	DC 3 W AC 5 VA
Voltage tolerance	+/- 10%
Duty rating	100%

Type nr	VTB966	VTB970 Dual
Recommended media	Filtered and lubricated or filtered non-lubricated air	
Connections	G 1/4"	G. 1/2"
Nominal size	7 mm	10 mm
Nominal flow	1250 l/min	3000 l/min
Working pressure	1,5...10 bar	
Response time at 6 bar	13/16 ms	
Temperature range	-20°C...+70°C	
Materials	Body: anodized aluminium and plastic, Internal parts: brass and plastic, stainless steel pinion, Seals: NBR	
Standard voltages	12V/24V DC, 24V/110V/220V 50/60Hz	
Coil data	See above	
Insulation	IP 65 according to DIN 40050	
Weight	0.43 kg	0.87 kg



VTB970 Dual Namur 2



Article numbers

5/2 way valves

- VTB966 LI 24V/DC
- VTB966 LJ 24V/50-60Hz
- VTB966 LK 230V/50-60Hz
- VTB966 LM 24V/DC, Eex "m"
- VTB966 LQ 230V/50-60Hz, Eex "m"
- Other version on request such as 5/3 way version which will always go back to middle position.

Options

- Eex "ia" coils
- Led plug
- Different voltages and versions on request

Spring return lever for ball valves

Principle

The build-in spring in the lever, automatically returns the valve to the initial position when the lever is released. With this feature, the ball valve gets the preferred position.

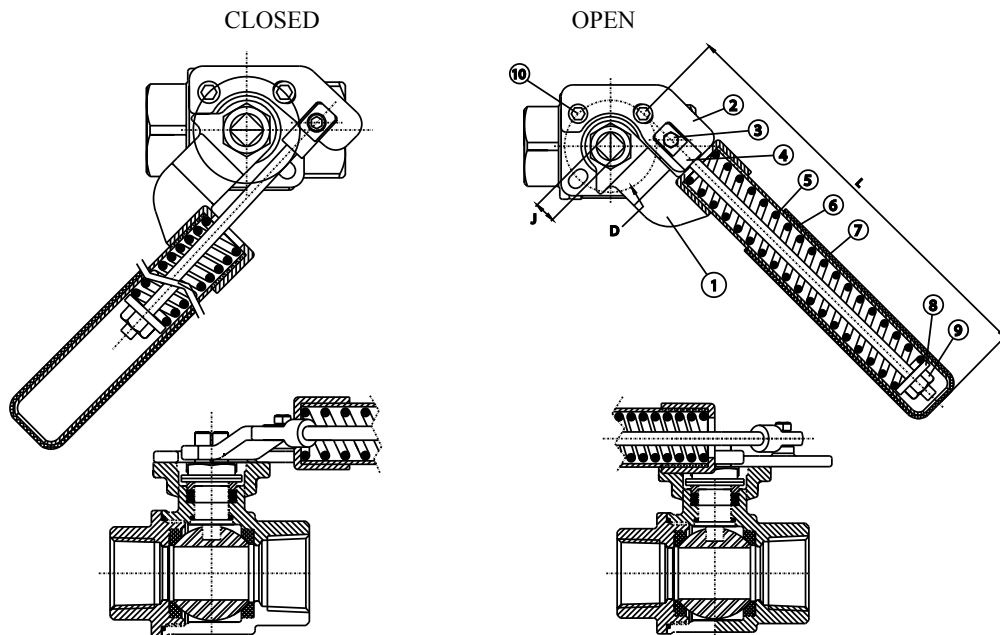
Application

By using a spring return or fail-safe lever becomes , a ball valve will either be normally open (NO) or normally closed (NC).

The spring return lever is easy to mount on the following Vapo ball valves:
 Type S02D, S13D, S33D, S57D, S15D, S216D, C216D and S316D
 Size 1/4" up to 2" (DN50)

Also, with the necessary adjustments, the valve types A25 and A35 up to DN 50 can be provided with this spring return lever

Before ordering a separate spring return lever, please first check the necessary torque figure and connection

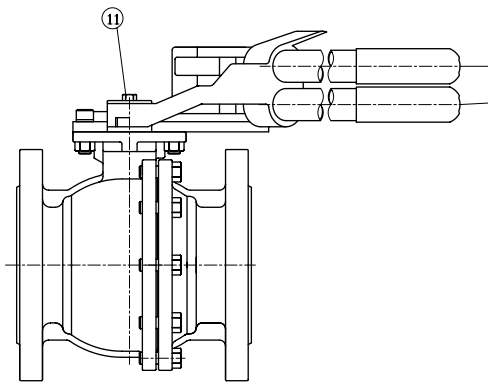
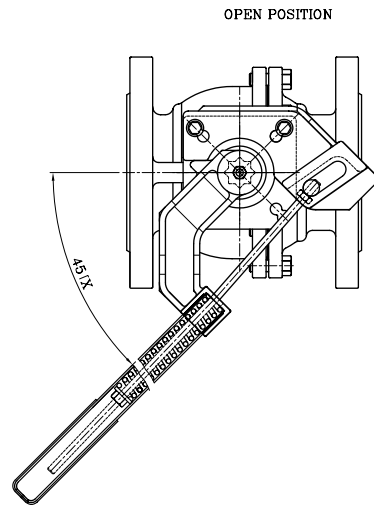
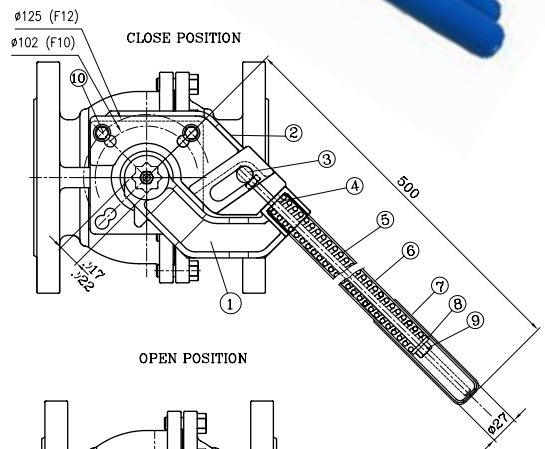


Materials		
Item	Description	Materials
1	Leverhead	SS
2	Baseplate	SS
3	Hingeaxel	SS
4	Rod	SS
5	Spring	SS
6	Lever	SS
7	Grip	PVC
8	Washer	SS
9	Nut	SS
10	Bolt	SS

Dimensions [mm]				
DN	L	J	D (ISO 5211)	[Nm]
1/4" up to 3/4"	170	9	F03/F04	15
1" up to 1 1/4"	220	11	F04	22
1 1/2" up to 2"	280	14	F05	35

Spring return lever for ball valves

2 1/2" up to 4".



Materials		
Item	Description	Materials
1	Leverhead	SS
2	Baseplate	SS
3	Hingeaxel	SS
4	Rod	SS
5	Spring	SS
6	Lever	SS
7	Grip	PVC
8	Washer	SS
9	Nut	SS
10	Bolt	SS

Dimensions [mm]				
DN	L	J	D (ISO 5211)	[Nm]
2 1/2" up to 4"	500	22	F10/F12	100

Extension for ball valves

Principle

The control is raised with an extension.

Application

By application of an extension, the distance between the valve and the control increases. Reasons to apply an extension:

- to provide room for insulation of the valve
- the temperature of the valve is too high for operating the valve with the mounted lever (safety)
- when the valve is mounted in a place without not enough free space to operate the valve.

The extension is easy to mount on the following Vapo ball valves :

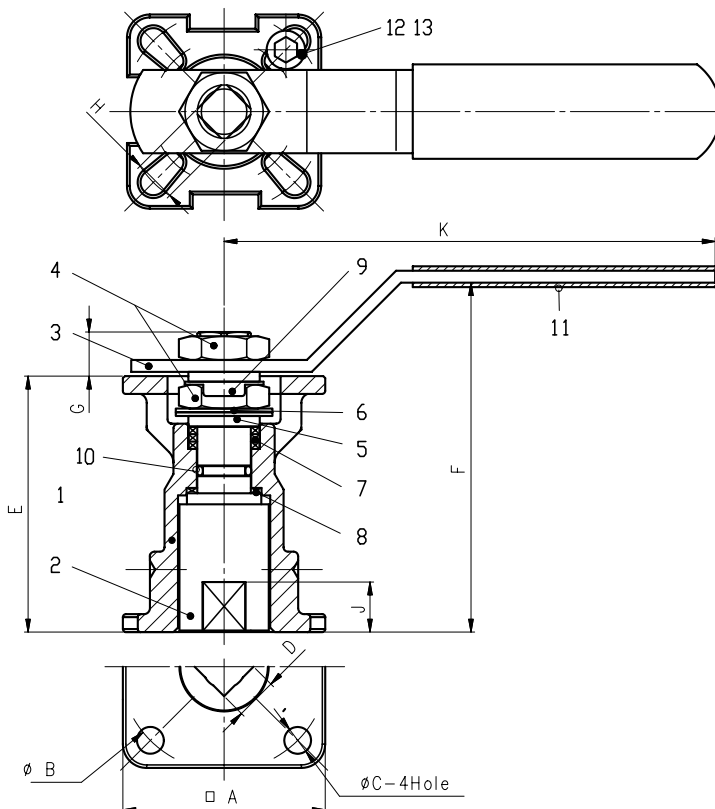
Type S02D, S13D, S33D, S57D, S15D, S216D, C216D and S316D

Size 1/4" up to 4" (DN100)



Before ordering always first check the connections

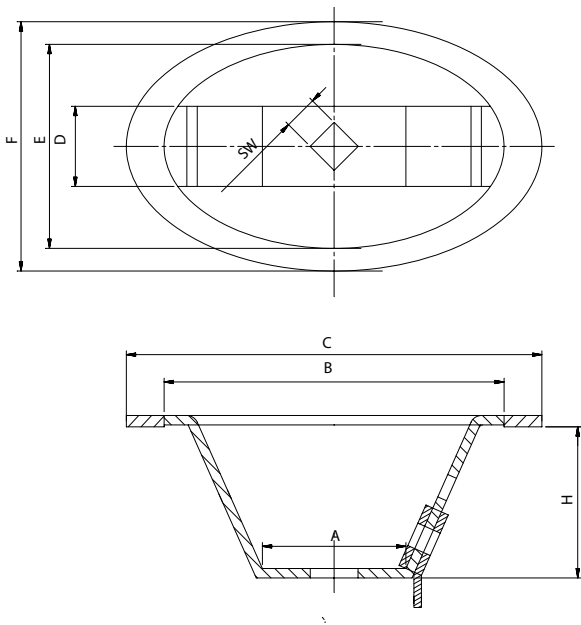
The use of an extension in combination with an actuator is possible, however our standard is a bracket and adapter set.



Materials		
Item	Description	Materials
1	Extension	SS
2	Adapter	SS
3	Lever	SS
4	Nut	SS
5	Gland	SS
6	Springwasher	SS
7	Seal	PTFE
8	Frictionring	PTFE+15%GV
9	Lockwasher	SS
10	O-ring	Viton®
11	Grip	PVC
12	Stopbolt	SS
13	Nut	SS

Dimensions [mm]											
DN	A	B	C	D	E	F	G	H	J	K	ISO 5211
1/2" up to 3/4"	42	42 (F04)	6	■ 9	61	88	8	■ 9	5,5	110	F03/F04
1" up to 1 1/4"	48	50 (F05)	7	■ 11	67	94	10	■ 11	11,5	135	F04/F05
1 1/2" up to 2"	68	70 (F07)	9	■ 14	86	118	15	■ 14	16,5	165	F05/F07
2 1/2" up to 4"	94	102 (F10)	11	■ 17	105	-	17	■ 17	19,5	-	F07/F10

Oval wheel lever for ball valves



These oval wheel levers can be used for our ball valves with direct ISO5211 mountingflange, as our types S13D and S33D.
 Square 9 and 11, up to DN32/ 1 1/4".

Dimensions [mm]		
square	9	11"
A	38	43
B	90	110
C	110	136
H	40	42
D	21	25
E	54	66
F	66	80
SW	9	11

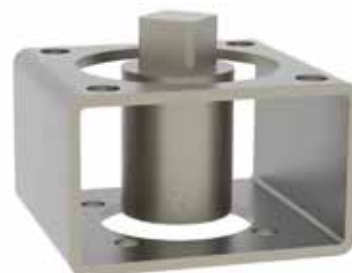
Materials

Oval wheel lever is made from Stainless steel and covered with an PVC protection on the grip part on top.
 It is possible to secure it with an padlock..

Options and specials

Vapo Techniek BV can also supply the following products from multiple vendors and versions:

- Solenoid valves
- Hose connections
- Silencers
- Speed controls to delay the time of cycle
- Led plugs on the solenoid valve
- Other brands limit switches such as IFM
- Bracket and adapter sets
- Reducers square and star
- Spring return levers
- Mounting von limit switches on manual valves
- Stem extensions
- Positioners from different vendors like Siemens, Eckhardt etc.



Foxboro.
by Schneider Electric



SIEMENS

