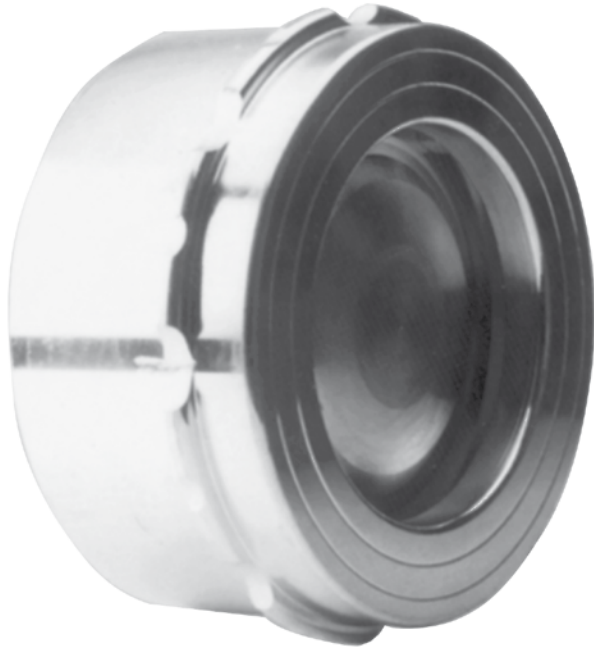


Vapco

own the flow

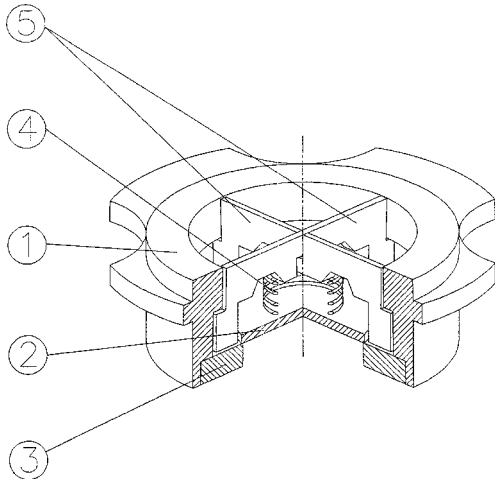
VTB Check valves



 Herbe

RD Disc type check valves: DN15-100

Materials



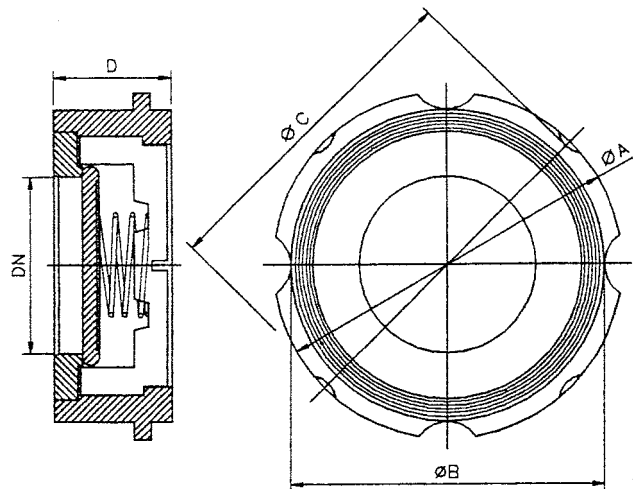
Item	Material											
1 Body	Bronze						Steel			SS316		
2 Insert	Bronze						Steel			SS316		
3 Support	SS316						SS316			SS316		
4 Disc	SS304						SS304			SS316		
5 Spring	SS302						SS302			SS302		
Press. class	PN16				PN40				PN40			
Pressure [bar]	16	15	14	13	40	35	28	21	40	34	32	29
Temp.Max [°C]*	120	180	200	250	120	200	300	400	120	200	300	400
Temp. Min [°C]*	-60	-60	-60	-60	-10	-10	-10	-10	-60	-60	-60	-60

*= with metal seated, other seat materials have different values, depending on pressure and temperature

Dimensions [mm]

	DN 15-DN 80					DN 100			
ØA	PN10-40, ANSI300					PN25-40			
ØB	PN6, ANSI150					PN6			
ØC	-					PN10-16			

DN	15	20	25	32	40	50	65	80	100
ØA	52	63	72	83	93.5	110	127	142.5	168.5
ØB	44.5	54.5	64.5	75	84	97.5	117	133	153
ØC	-	-	-	-	-	-	-	-	162.5
D	17	20	22	28	32	40	46	50	60
WEIGHT [KG]	.1	0.2	0.3	0.6	0.7	1.2	2.1	2.8	4.1



Seat material

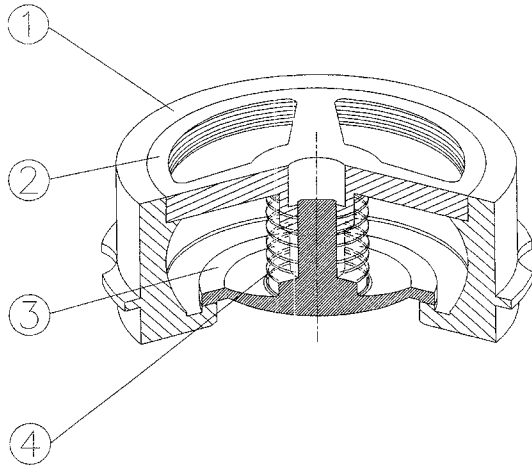
- Metal to metal
- NBR -20°C to +100°C
- EPDM -35°C to +120°C.
- Viton® -10°C to +160°C
- PTFE -40° to +180°C.

Minimum opening pressure (mbar)

	Flow direction	DN15	DN20	DN25	DN32	DN40	DN50	DN65	DN80	DN100
WITH SPRING	↔	21	21	21	21	21	21	21	21	21
	↓	17	17	18.3	16.3	16.2	16.1	15	13.7	12.5
	↑	23	23	23	23	24	25	25	26.	26.5
WITHOUT SPRING	↑	2.6	2.6	2.6	3.9	4	4.2	5.1	5.6	7.4

RD Disc type check valves: DN125-200

Materials

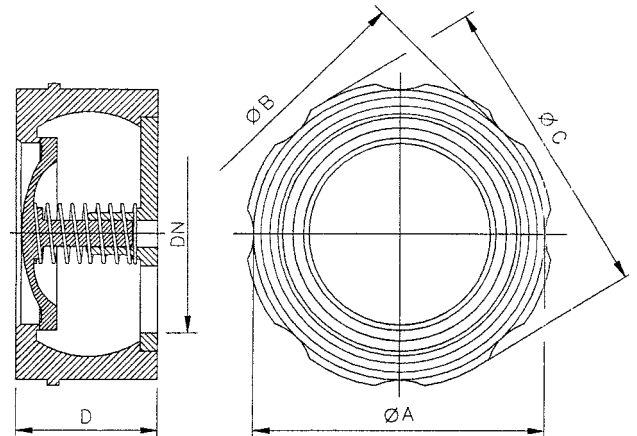


Item	Material
1 Body	Steel, SS316, Bronze, Alu-Bronze
2 Insert	Steel, SS316, Bronze, Alu-Bronze
3 Disc	Steel, SS304, SS316, Bronze, Alu-Bronze
4 Spring	SS302

Dimensions [mm]

	DN125	DN150	DN200
ØA	PN6	PN6	PN10-16
ØB	-	PN10-16	-
ØC	PN10-40	PN25-40	PN25

	DN125	DN150	DN200
ØA	184	209	276
ØB	-	221	-
ØC	194	227	287
D	90	106	140
WEIGHT [KG]	9	14	24



Seat material

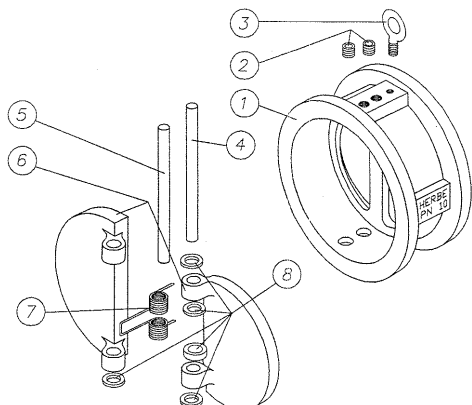
- Metal to metal
- NBR -20°C to +100°C
- EPDM -35°C to +120°C.
- Viton® -10°C to +160°C
- PTFE -40° to +180°C.

Minimum opening pressure (mbar)

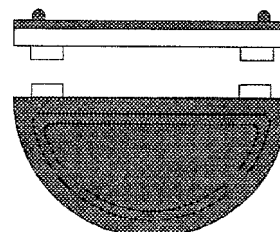
	Flowdirection	DN125	DN150	DN200
WITH SPRING	↔	22	23.5	24
	↓	12	13	14.5
	↑	30	32.5	35
WITHOUT SPRING	↑	15	17	18.5

DC Double door check valve: DN40-1000

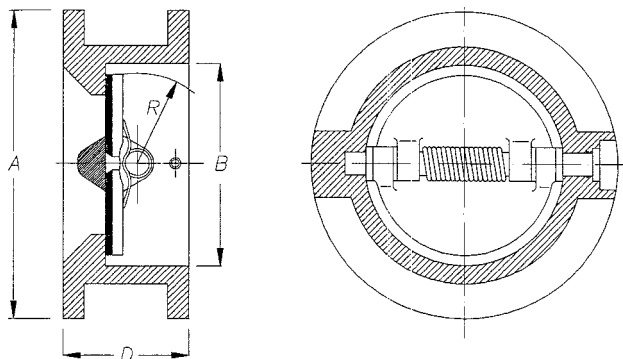
Materials



Item	Material
1	Body: ductile iron, Steel, SS316, Bronze, Al-Bronze
2	Plugs: Steel, SS316
3	Lifting eye: Steel
4	Pin: SS316
5	Pin: SS316
6	Disc: Steel, SS316, Bronze, Alu-Bronze
7	Springs: SS302
8	Bushings: Teflon



Dimensions [mm]

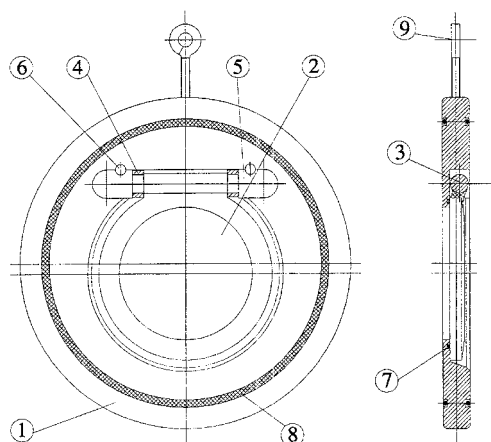


Rubber vulcanised disc with NBR, EPDM, Viton®, PTFE, etc.

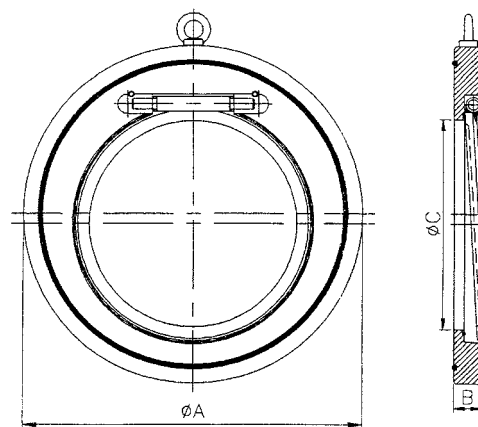
DN	D [mm]	A [mm]								B [mm]	R [mm]	[kg]
		PN6	PN10	PN16	PN25	ANSI125	ANSI150	ANSI300				
40	1½"	33	88	94	94	94	86	85	95	72	31	1.0
50	2"	43	98	109	109	109	104	104	110	72	31	1.5
65	2½"	46	118	129	129	129	125	123	130	475	31	2.4
80	3"	64	134	144	144	144	137	136	149	92	42.5	3.8
100	4"	64	154	164	164	171	175	174	181	118	55	5
125	5"	70	184	194	194	197	197	196	215	144	64	6.8
150	6"	76	209	220	220	227	223	222	250	169	78	8
200	8"	89	264	275	275	286	279	279	308	224	103	15
250	10"	114	319	330	330	341	338	339	361	274	122.5	27
300	12"	114	375	380	380	403	409	409	422	328	155	34
350	14"	127	425	440	440	460	450	450	485	354	168	53
400	16"	140	475	491	491	517	515	514	539	400	190	70
450	18"	152	530	543	543	567	549	549	596	445	210	100
500	20"	152	580	596	596	627	607	606	654	490	230	130
600	24"	178	681	698	698	734	718	717	774	590	280	180
700	28"	229	786	813	807	836	-	-	-	-	-	-
800	32"	241	893	920	914	945	-	-	-	-	-	-
900	36"	241	993	1020	1014	1045	-	1047	1117	-	-	-
1000	40"	300	1093	1127	1131	1158	-	-	-	-	-	-

CP Swing type check valves: DN32-1000

Materials



Item	Material	
1	Body	Steel, SS316, Bronze, Alu-Bronze,
2	Disc	Steel, SS316, Bronze, Alu-Bronze
3	Pin	Steel, SS316, Bronze, Alu-Bronze
4	Bearing	PTFE
5	Support	Steel, SS316, Bronze, Alu-Bronze
6	Pin	Steel, SS316
7	Seat	NBR, EPDM, Viton®, PTFE, Metal
8	O-ring	NBR, EPDM, Viton®, PTFE
9	Lifting eye	Steel



Dimensions [mm]

DN	NFE 29377 [mm]		material					
	B	ØC	PN10	PN16	PN25	ASA150	ASA300	
32	1¼"	17	16	84	84	84	76	82
40	1½"	17	20	94	94	94	85	95
50	2"	17	28	109	109	109	104	110
65	2½"	17	42	129	129	129	123	130
80	3"	17	55	144	144	144	136	149
100	4"	17	75	164	164	170	174	181
125	5"	17	98	194	194	196	196	215
150	6"	20	119	220	220	226	222	250
200	8"	28	164	275	275	286	279	308
250	10"	32	210	330	331	343	339	361
300	12"	38	250	380	386	403	409	422
350	14"	38	280	440	446	460	450	485
400	16"	48	310	491	498	517	514	539
450	18"	48	365	541	558	567	549	596
500	20"	58	410	596	620	627	606	654
600	24"	68	485	698	737	734	717	774
700	28"	76	580	813	807	836	-	-
800	32"	89	621	920	914	945	-	-
900	36"	95	712	1020	1014	1045	1047	1117
1000	40"	118	815	1127	1131	1158	-	-